

Parts Catalog
Rider Sweeper
Armadillo 6X (Diesel, Gas, & LPG)
AM7D-III (Diesel)



PREFACE

Thank you for your purchase of the now industry standard for sweepers. PowerBoss® takes great pride in offering the most dependable, reliable and best value in industrial power sweepers and sweeper/scrubbers. We set the standard.

Our Customer Service Department would like to hear from you. If you see any errors, omissions or something that needs clarification in this Parts Catalog, please let us know. We are working hard towards continually improving our processes to bring you the best you deserve. Please copy the form below, fill out and comment on how you found our catalog.

Thank you.
The PowerBoss Team

Name _____

Title: _____

Company Name: _____

Address: _____

Country: _____

Type of equipment or model number: _____

Comments: _____

Please return to:
Customer Service Manager
PowerBoss®, Minuteman International, Inc.
14N845 U.S. Route 20
Pingree Grove, Illinois 60140 USA

Phone: (800) 323-9420
Email: tech@powerboss.com

This is the Parts Catalog for the PowerBoss® Armadillo 6X and PowerBoss® AM7D-III machines. This Catalog covers the standard Armadillo 6X & AM7D-III variations beginning, October 2014.

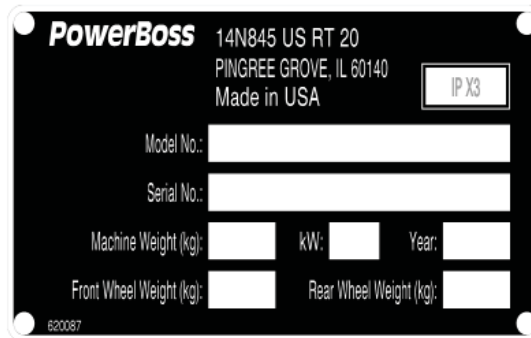
We believe this machine will provide excellent service for many years. Best results will be obtained if:

- The machine is operated with reasonable care.
- The machine is maintained regularly per the maintenance schedule provided in the User Manual.
- The machine is maintained with PowerBoss® supplied or equivalent parts.

All right side and left side references to the machine (except for engine) are determined by facing the direction of forward travel. The front of the engine or engine fan faces the rear of the machine. Some hardware considered to be common or locally available has been omitted from the parts section to make this manual clear. Be sure to use equivalent hardware when replacement becomes necessary.

The Model and Serial Number of your machine is shown on the I.D. name plate. This information is needed when contacting Technical Support or when ordering parts. The I.D. plate is mounted on the console of the machine left of the operator. Adjacent the main broom adjustment access door.

Example I.D Plate:



Parts may be ordered by phone, fax or email from any PowerBoss® parts and service center. Before ordering parts or supplies, be sure to have your machine model number and serial number handy. For your convenience Fill out the data block below for future reference.

<p>MACHINE DATA Fill out at installation</p>	
Serial Number:	_____
Engine Serial Number:	_____
Sales Rep.:	_____
Date of Install:	_____

All information contained in this catalog is current at the time of printing. Minuteman International, Inc. reserves the right to make changes at any time without notice.

PowerBoss®, Minuteman International, Inc., Copyright 2014, Printed in USA

TECHNICAL SPECIFICATIONS

Model/Model No.: Armadillo 6X: SW6XKDSL (Diesel), SW6XKGAS (Gas), SW6XKLPG (LPG)
AM7D-III (Diesel)

DIMENSIONS & WEIGHT

Length 79 inches (200 cm)
Width 53 inch (135 cm)
Height 53 inch (135 cm)
Height w/ overhead guard 79.5 inch (202 cm)
Weight 2547 lbs (1155 kg)
Minimum U-turn 82 inch (208 cm)

SWEEPING SYSTEM

Sweep path 53 inch (135 cm)
Main broom 36 inch (91 cm)
Side broom 24 inch (61 cm)
Hopper type high dump
Hopper volume 10 cu ft (.28m²)
Hopper load capacity 650 lbs (295 kg)
Dust control 92 sq ft (8.6 m²)
High dump 60 inch (152 cm)
RTR (rotary trash relocation) . . . yes

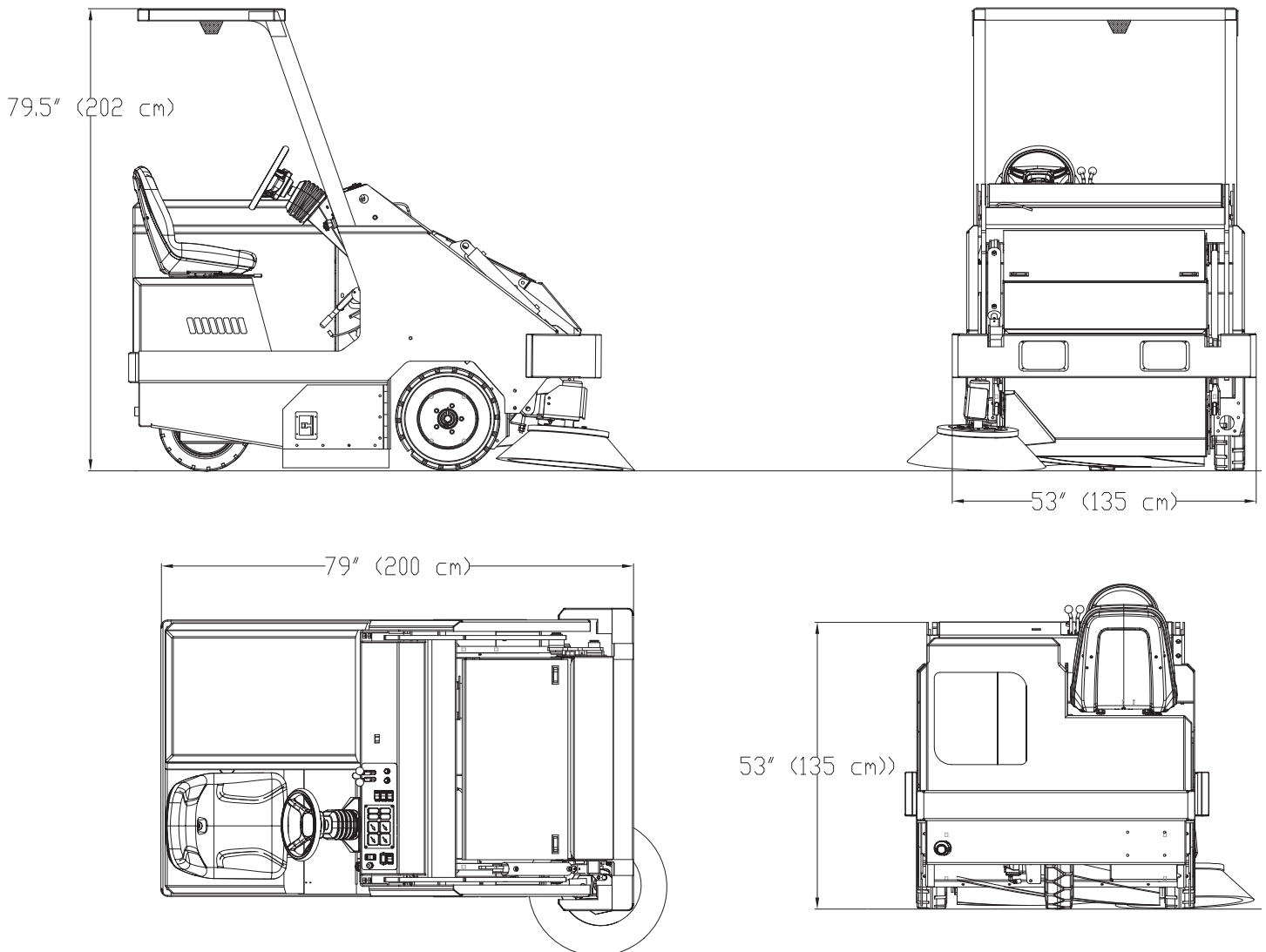


TABLE OF CONTENTS

PREFACE 2

TECHNICAL SPECIFICATIONS 4

 DIMENSIONS & WEIGHT 4

 SWEEPING SYSTEM 4

NOTES 7

PARTS BREAKDOWN 8

 FRAME 8

 ELECTRICAL PLATE 10

 INSTRUMENT PANEL 12

 AXLE, BRAKES AND WHEEL ASSEMBLY 14

 3318673 FRONT AXLE ASSEMBLY 16

 BATTERY 18

 MAIN BROOM DOOR 20

 ENGINE COVER 22

 DIRECTION CONTROL ASSEMBLY 24

 BUMPER 26

 HOPPER 28

 HOPPER HOOD AND LID ASSEMBLIES 30

 CONTROL VALVE 32

 HYDRAULIC MANIFOLD ASSEMBLY 34

 HYDRAULIC MANIFOLD 36

 HYDRAULIC RESERVOIR 38

 IMPELLER 40

 GASKET MOUNT 42

 LIFT ARM PART 1 44

 LIFT ARM PART 2 48

 MAIN BROOM ASSEMBLY 50

 SIDE BROOM ASSEMBLY 54

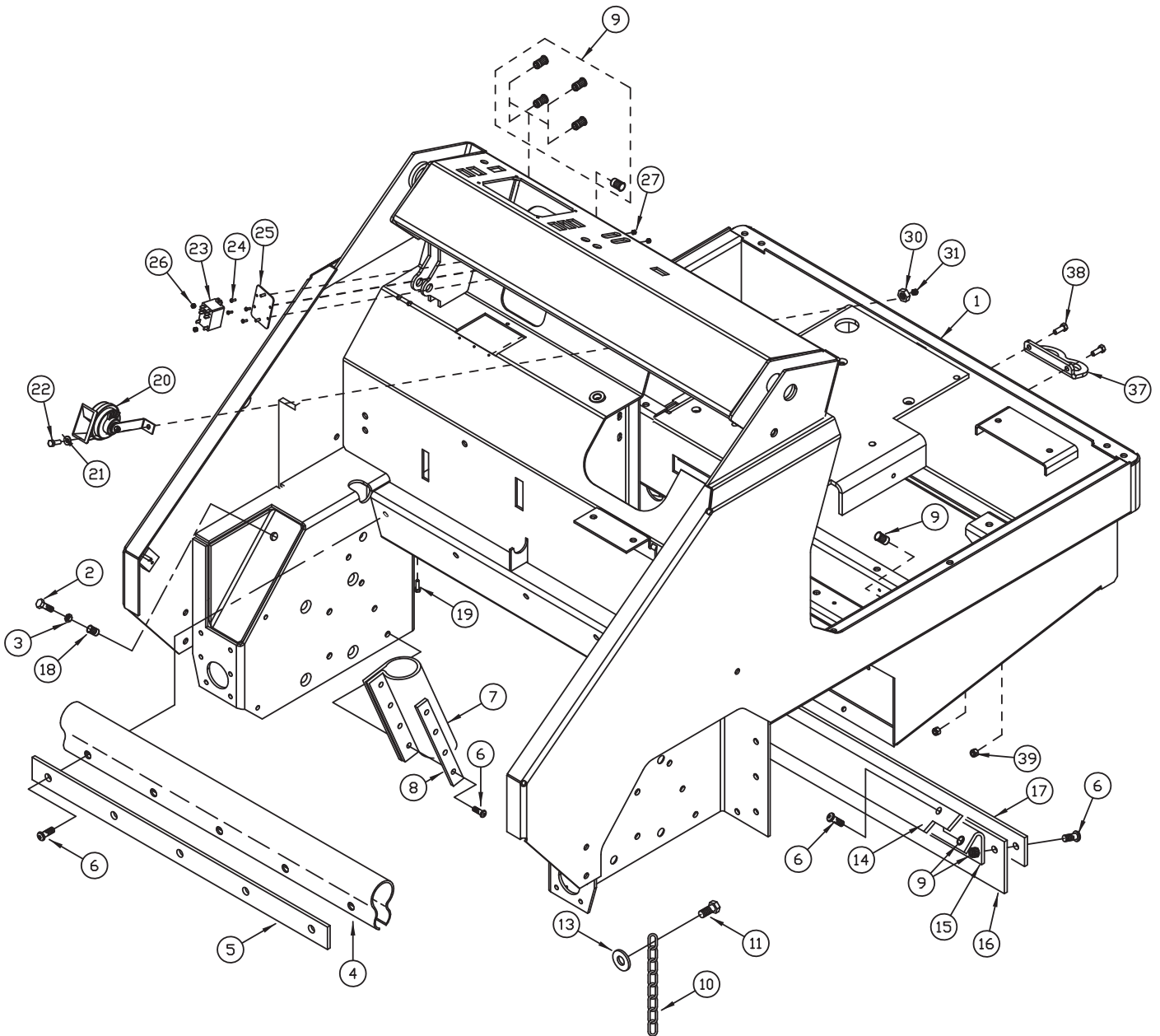
 SIDE BROOM ACTUATOR 56

 STEERING ASSEMBLY 58

 TILT STEERING ASSEMBLY 60

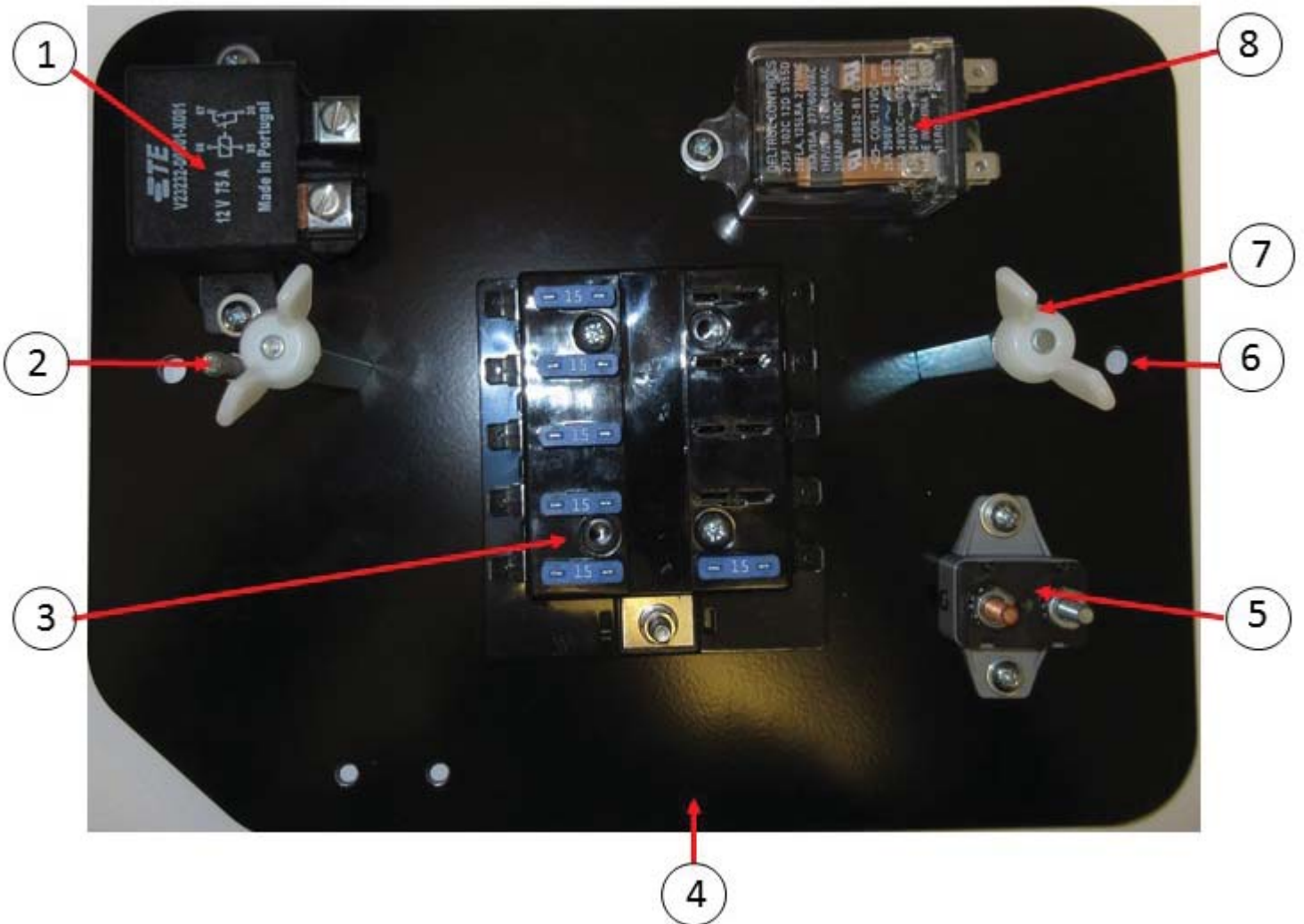
FUEL TANK - GAS AND DIESEL	62
RADIATOR COMPONENTS - 661141/DSL - 661187/LP_GAS - PAGE 1.....	64
RADIATOR COMPONENTS - 661141/DSL - 661187/LP_GAS - PAGE 2.....	65
RADIATOR COMPONENTS - 661141/DSL - 661187/LP_GAS - PAGE 3.....	66
RADIATOR COMPONENTS - 661141/DSL - 661187/LP_GAS - PAGE 4.....	67
ENGINE PARTS BREAKDOWN	68
ENGINE KUBOTA D902 DIESEL & DF752 LP/GAS - MOUNTING AND PUMPS.....	68
ENGINE KUBOTA D902 DIESEL & DF752 LP/GAS - AIR CLEANER & EXHAUST	70
ENGINE KUBOTA D902 DIESEL & DF752 LP/GAS - ALTERNATOR, WATER PUMP, & FAN	72
ENGINE KUBOTA D902 DIESEL & DF752 LP/GAS - STARTER, & EXHAUST MANIFOLD	74
ENGINE KUBOTA D902 DIESEL & DF752 LP/GAS - BLOCK AND FREEZE PLUGS	76
ENGINE KUBOTA D902 DIESEL & DF752 LP/GAS - CYLINDER HEAD AND VALVES.....	78
ENGINE KUBOTA D902 DIESEL & DF752 LP/GAS - MAIN BEARING CASE	80
ENGINE KUBOTA D902 DIESEL & DF752 LP/GAS - CAMSHAFT, IDLE & OIL PUMP	82
ENGINE KUBOTA D902 DIESEL & DF752 LP/GAS - PISTON AND CRANKSHAFT	84
ENGINE KUBOTA DF752 LP/GAS - DISTRIBUTOR AND SPARK PLUG.....	86
ENGINE KUBOTA DF752 LP/GAS - CARBURETOR AND GOVERNOR	88
ENGINE KUBOTA D902 LP/GAS - FUEL SYSTEM.....	90
ENGINE WG750 GAS - MOUNTINGS	92
ENGINE WG750 GAS - RADIATOR AND EXHAUST SYSTEM.....	94
ENGINE WG750 GAS - COMPONENTS	96
DECAL LAYOUT	100
BROOM PARTS BREAKDOWN	102
MAIN AND SIDE BROOMS.....	102
OPTIONS	104
OPTIONAL LEFT SIDE BROOM ASSEMBLY.....	104
OPTIONAL LEFT SIDE BROOM.....	106
ELECTRONIC SCHEMATIC 3338222 (REV. A)	108
HYDRAULIC SCHEMATIC 3338146 (REV. E).....	109
WARRANTY.....	110
NOTES	111

PARTS BREAKDOWN
FRAME



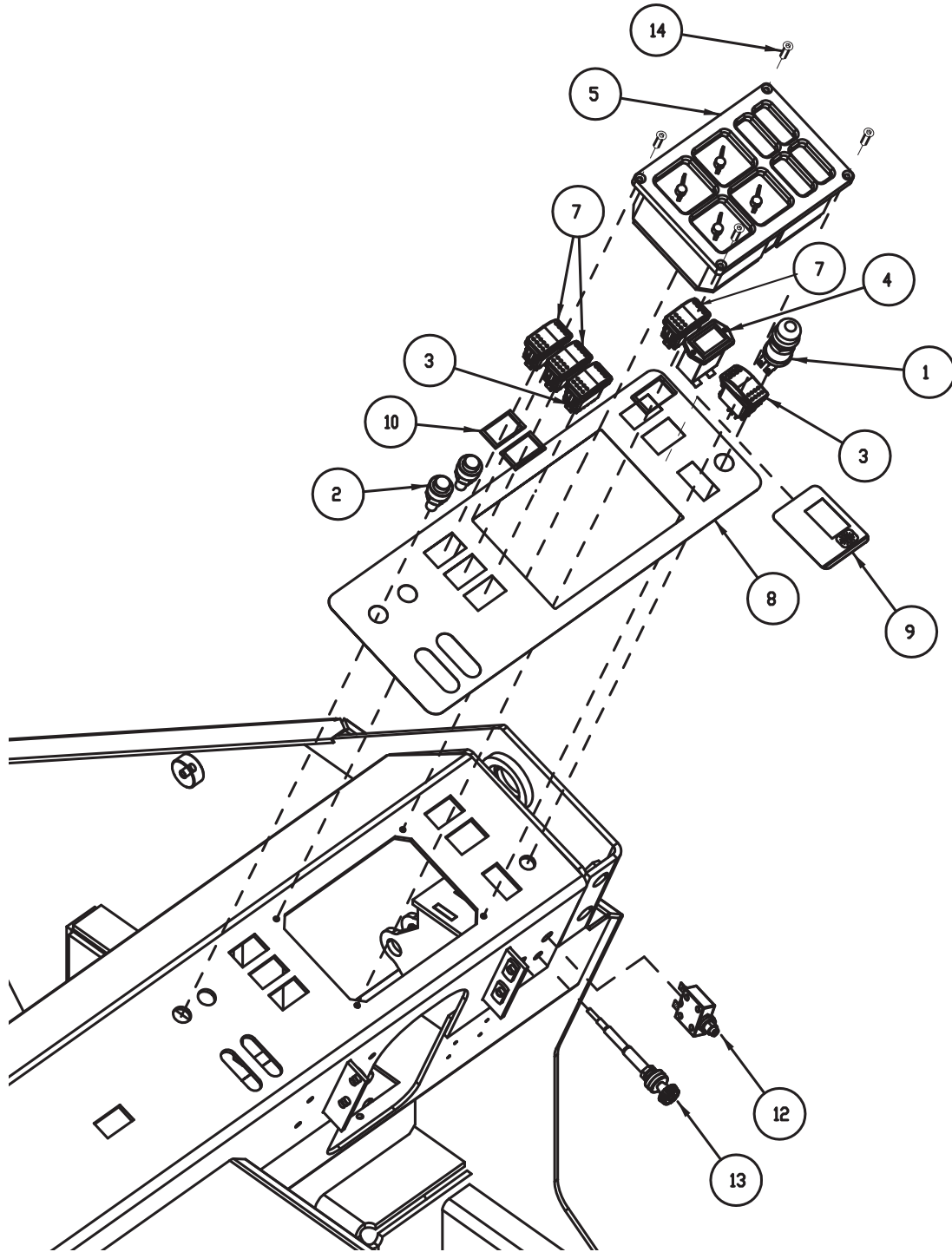
FRAME			
ITEM	PART NO.	QTY	DESCRIPTION
1	3338082M	1	WELD—FRAME
4	3311123	1	SEAL—FRAME FRONT
5	3311417	1	BAR—RETAINER FRONT SEAL PLTD
6	3400444	13	SCR-FHSCS 3/8-16 X 1.00 ZP
7	3311413	2	SEAL—HOPPER SIDE
8	3311414	2	BAR—SEAL RETAINER PLTD
9	3322186	16	INSERT—3/8-16 UNC
10	3307658	1	CHAIN—GROUNDING ARMA
11	3400028	1	SCR-HH 3/8-16 X 1.50 ZP GR 5
13	3400087	2	WASHER-FLAT 3/8 ZP
14	3318572	1	FLAP—BROOM CHAMBER
15	3318571	1	ANGLE—REAR FLAP
16	3318573	1	FLAP—BROOM CHAMBER
17	3318574	1	RETAINER—REAR FLAP
20	3300379	1	HORN-12V STANDARD AUTOMOTIVE
21	3400273	1	WASHER-INT LOCK 5/16 ZP
22	3400035	1	SCREW-HEX,5/16-18X1.00 ZP
23	748961	1	RELAY, DPDT 12VDC 35A
24	711502	4	WASHER-FLAT #8 ZP
25	661127	1	PLATE, ELECTRICAL COMP - 6X
26	710330	2	SCR-PHMS 8-32 X .62 ZP
27	711372	2	NUT-NYLOC 8-32 ZP
30	3400384	1	WASHER-CONICAL SPRING 5/16
31	711379	1	NUT-FLANGED WIZZ 5/16-18 ZP
32	3338196	1	FUSE PANEL PLATE
33	3322599	1	FUSE BLOCK-ATO FUSE
34	3322601	5	FUSE-15 AMP AUTOMOTIVE PUSH IN
35	3401660	4	SCREW-SHCS 10-24X1.00 ALLOY ZP
36	3400399	4	NUT-HEX NYLON LOCK #10-24 SS
37	3343740	1	TIE DOWN-UNIVERSAL, REAR
38	711250	2	SCR-HH 3/8-16 X 1.25 ZP GR 5
39	711380	2	NUT-NYLOC 3/8-16 ZP

ELECTRICAL PLATE



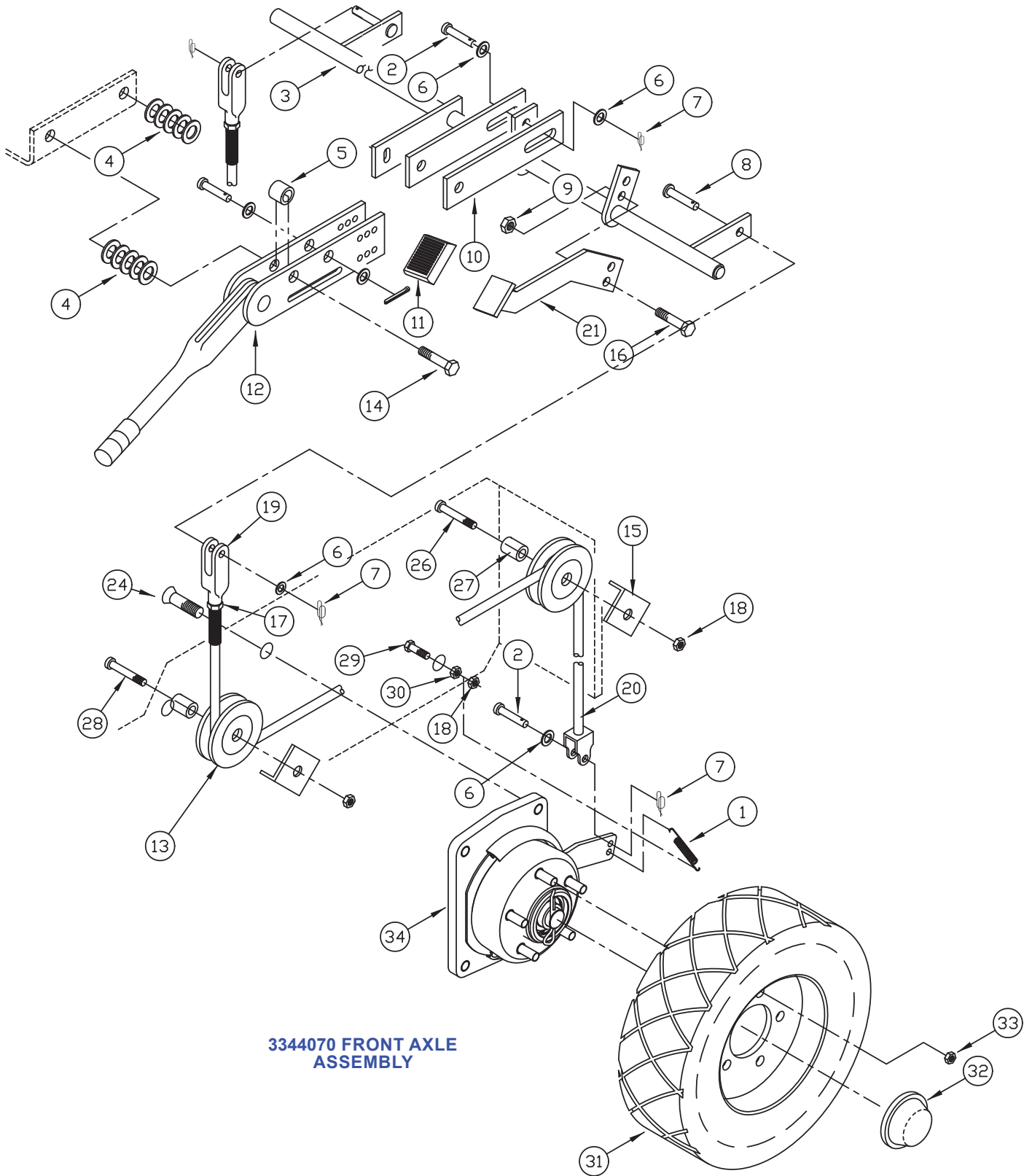
ELECTRICAL PLATE				
ITEM	PART NO.	MOUNTING HARDWARE	QTY	DESCRIPTION
1	740972		1	RELAY-12V 75A AUTOMOTIVE
		710330	2	SCR-PHMS 8-32 X .62 ZP
		711502	4	WASHER-FLAT #8 ZP
		711372	2	NUT-NYLOC 8-32 ZP
2			1	GROUND STUD (PART OF ITEM #4)
		711564	1	WASHER-EXT LOCK 1/4 ZP
		3400089	1	WASHER-FLAT 1/4 ZP
		711373	1	NUT-NYLOC 1/4-20 ZP
3	3322599		1	FUSE BLOCK-ATO FUSE
		710362	2	SCR-RHMS 10-32 X 1.25 ZP
		3400172	2	NUT-JAM 10-32 ZP NYLOC
		711502	2	WASHER-FLAT #8 ZP
4	661127		1	PLATE, ELECTRICAL COMP - 6X
5	747042		1	CIRCUIT BREAKER, 20 AMP
		710330	2	SCR-PHMS 8-32 X .62 ZP
		711502	4	WASHER-FLAT #8 ZP
		711372	2	NUT-NYLOC 8-32 ZP
		748963	1	CIRCUIT BREAKER BOOT (NOT SHOWN)
6				
		3400149	2	SCR-HH 1/4-20 X 1.50 ZP GR 5 PART THRD
		3400089	2	WASHER-FLAT 1/4 ZP
		3303552	2	SLEEVE-HAND BRAKE ZP
		3400089	2	WASHER-FLAT 1/4 ZP
		711373	2	NUT-NYLOC 1/4-20 ZP
7	731236		2	STANDOFF, PANEL, 1/4-20 X 2.38 LG ZINC
		711202	2	SCR-HH 1/4-20 X .50 ZP
		3400089	2	WASHER-FLAT 1/4 ZP
		711563	2	NUT-WING 1/4-20 NYLON
8	748961		1	RELAY, DPDT 12VDC 35A
		710330	2	SCR-PHMS 8-32 X .62 ZP
		711502	4	WASHER-FLAT #8 ZP
		711372	2	NUT-NYLOC 8-32 ZP

INSTRUMENT PANEL



INSTRUMENT PANEL			
ITEM	PART NO.	QTY	DESCRIPTION
1	3300441	1	HORN SWITCH
2	3342905	2	INDICATOR LIGHT RED - TRASH RELOCATOR
3	3311993	2	SWITCH - ROCKER PANEL
4	3336094	1	GAUGE - HOURMETER DIGITAL, 8-32VDC
5	3315914	1	GAUGE PANEL - STEWART WARNER 4GC
7	3318514	3	SWITCH - SPDT ROCKER
8	661088	1	DECAL, DASHBOARD, 6X
10	3335708	3	SEAL-PANEL
12	3026924	1	CIRCUIT BREAKER - 45AMP
13	3313077	1	CABLE-CHOKE SW/62 GAS & LP
	3321179	1	CABLE-THROTTLE AM7D-II
14	3401666	4	SCR-FHSCS #10-32 X 1.00 ALLOY ZP

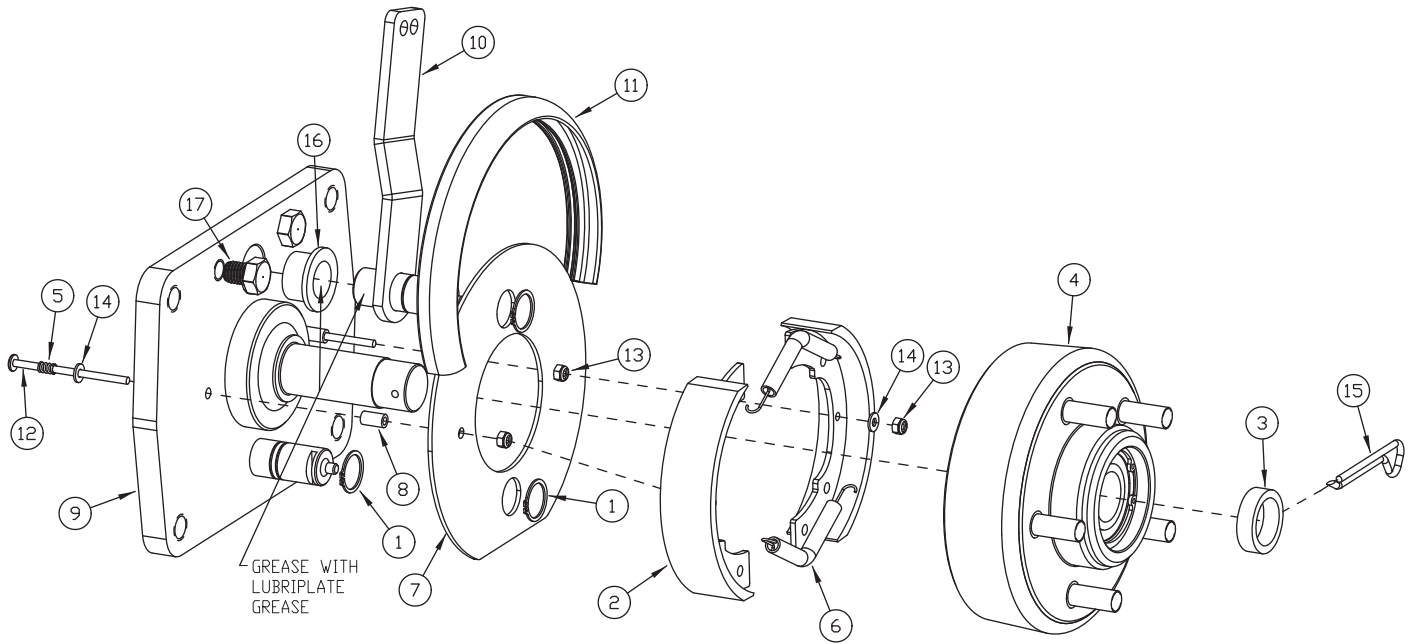
AXLE, BRAKES AND WHEEL ASSEMBLY



3344070 FRONT AXLE ASSEMBLY

AXLE, BRAKES AND WHEEL ASSEMBLY			
ITEM	PART NO.	QTY	DESCRIPTION
1	3301517	1	SPRING - EXT BRAKE LEVER
2	3400118	3	PIN - CLEVIS 5/16 X .88
3	661040	1	BRAKE BAR, AM7D
4	3400087	10	WASHER - FLAT 3/8 STANDARD ZP
5	3307241	2	SPACER-HAND BRAKE, ZP SW/A
6	3400088	3	WASHER - FLAT 5/16
7	3400125	5	RING - RUE 3/8
8	3400185	2	PIN - CLEVIS 5/16 X 1.25
9	3400390	2	NUT-FLANGE WIZZ 5/16-18 ZP
10	3311102	2	BAR - PARKING BRAKE
11	3300413	1	PAD - RUBBER BRAKE PEDAL
12	3303169	1	HAND BRAKE - PURCHASED
13	3304760	4	PULLEY - CABLE HYDRAULIC BRAKE
14	3400339	2	SCR-HH 3/8-16 X 2.25 SS PARTIAL THREAD
15	3306460	4	RETAINER - CABLE HYDRAULIC BRAKES
16	3400035	2	SCR - HEX 5/16-18 X 1.00 ZP
17	3400069	2	NUT - HEX 5/16-24 ZP
18	711380	4	NUT-NYLOC 3/8-16 ZP
19	3307642	2	CLEVIS 5/16 PLTD SW/A
20	3313211	2	CABLE - BRAKE
21	661052	1	WD - ASSY, BRAKE PEDAL, 6X
24	3400011	8	SCR - SOC FLT 5/8-11 X 1.00
26	3400028	1	SCR-HEX,3/8-16X1.50 ZP
27	3300431	2	BUSHING-.499 ID X .594 OD X 1/4 L
28	3400997	1	SCR-FLT,3/8-16X1.5
29	711250	2	SCR-HH 3/8-16 X 1.25 ZP GR 5
30	3400068	2	NUT-HEX 3/8-16 ZP
31	3318597	2	WHEEL - 5.00 X 8 X 18" MOLDED
32	3300369	2	DUST CAP
33	3300411	10	NUT - WHEEL LUG
34	3344070	2	FRONT AXLE/BRAKE ASSEMBLY

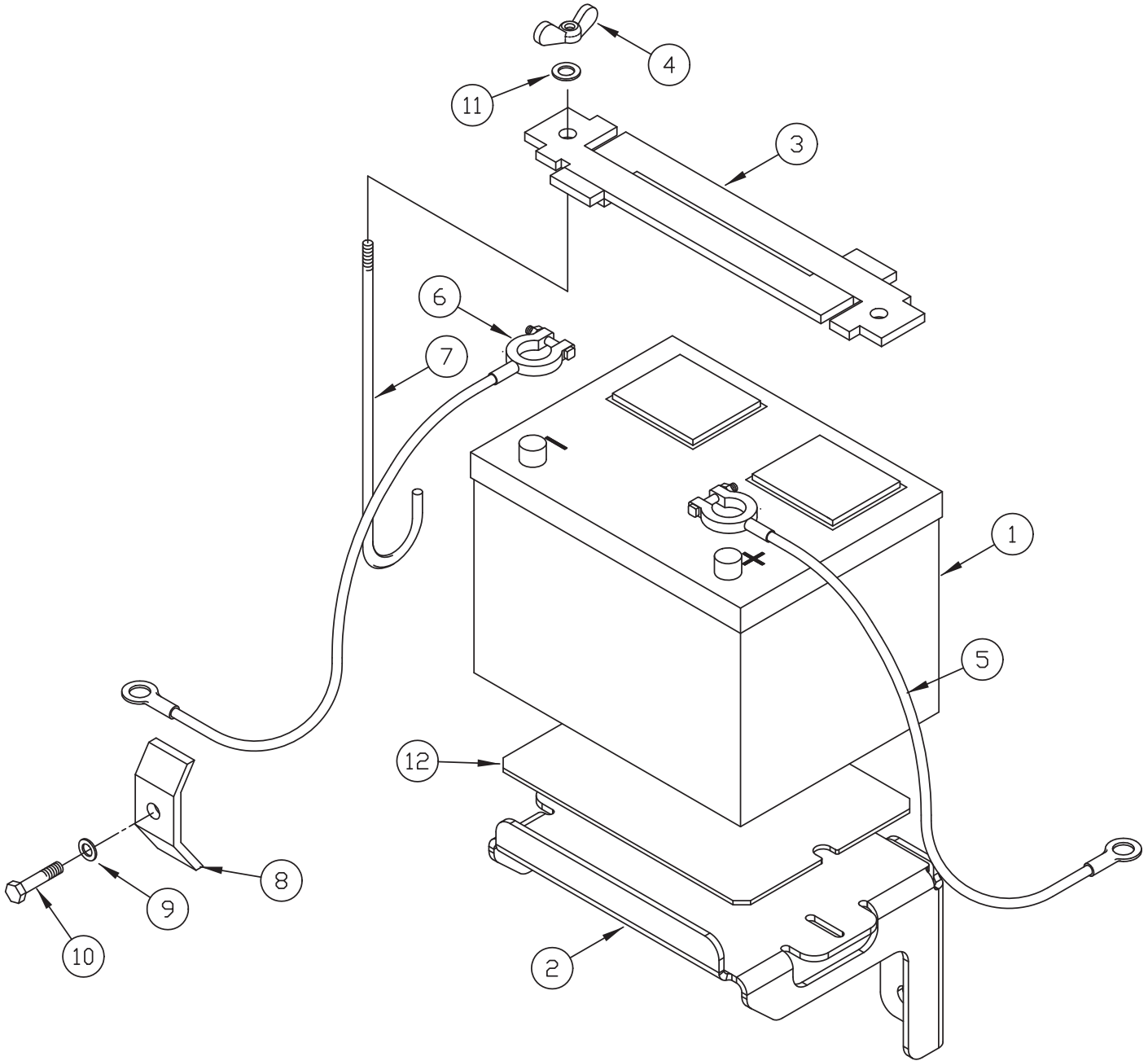
3318673 FRONT AXLE ASSEMBLY



3344070 FRONT AXLE ASSEMBLY

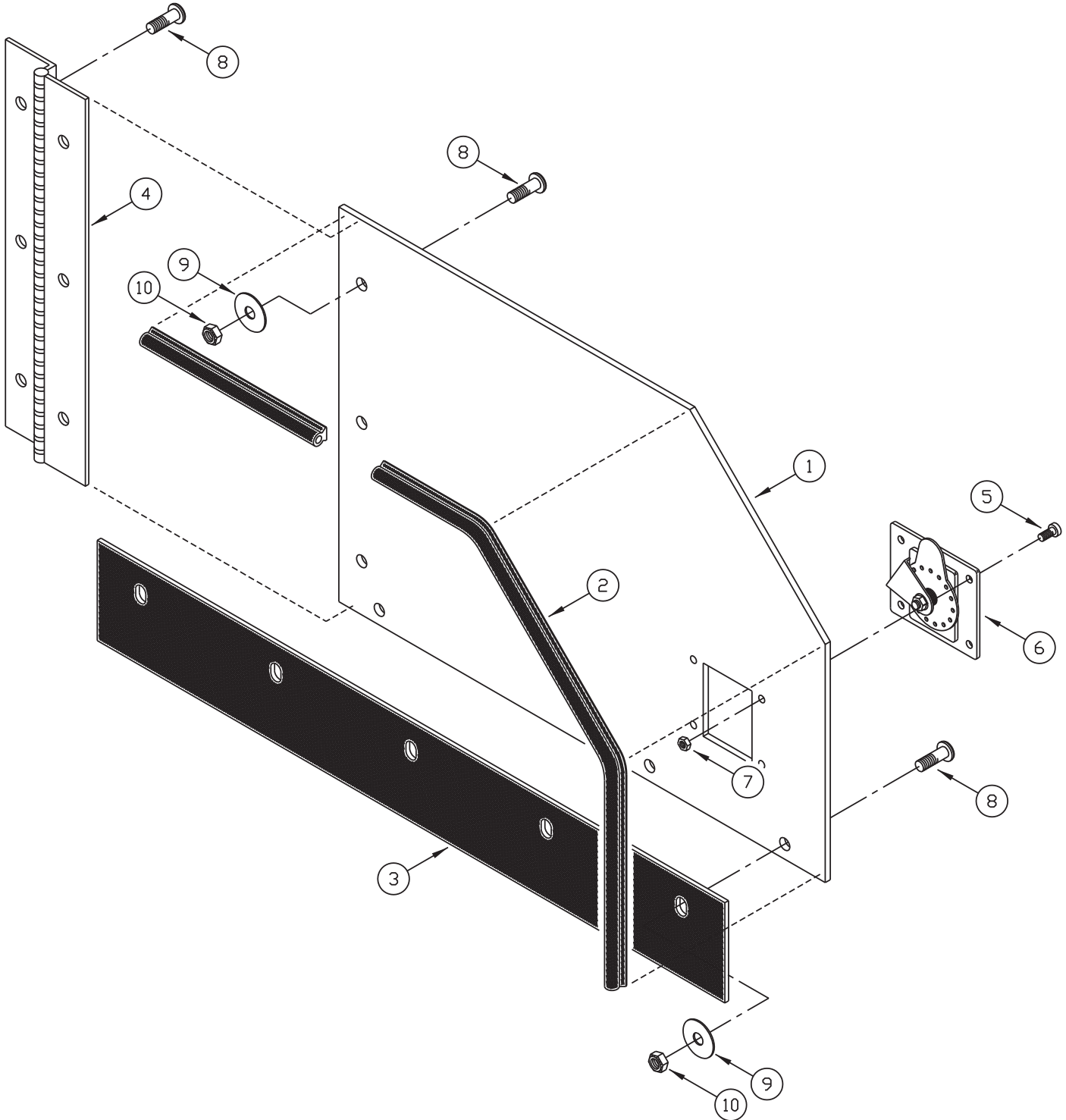
ITEM	PART NO.	QTY	DESCRIPTION
1	3300484	3	RETAINING RING EXT 0.87
2	3300523	2	SHOE - BRAKE
3	3300876	1	SPACER - AXLE FRONT
4	3301510	1	ASSY- HUB FRONT WHEEL
5	3301518	2	SPRING - COMP BRAKE SHOE
6	3301519	2	SPRING - EXT BRAKE SHOE
7	3344048	1	PLATE - BRAKE DUST COVER ZP
8	3344068	2	TUBE - STANDOFF .18ID X .31 OD X .563 LG
9	3344072P	1	PLATE-WD FRONT AXLE/BRAKES, AM7D
10	3344075	1	WELD ASSEMBLY - LEVER BRAKE SS
11	3344143	1	TRIM - PUSH ON W/ FLAP SEAL 12 GA
12	3400060	2	SCREW, PRH MC #8-32 X 3.00 18-8 SS
13	3400082	4	NUT - HEX #8-32 ES ZP
14	3400096	4	WASHER - FLAT #8 ZP
15	3400120	1	PIN - COTTER 5/32 DIA X 2.00 LG, ZP
16	3401561	1	BEARING - FLANGE 7/8 ID X 3/4 L
17	3401568	2	SCREW - HH 1/2-13 X .625 FULL THRD, GR 5 ZP

BATTERY



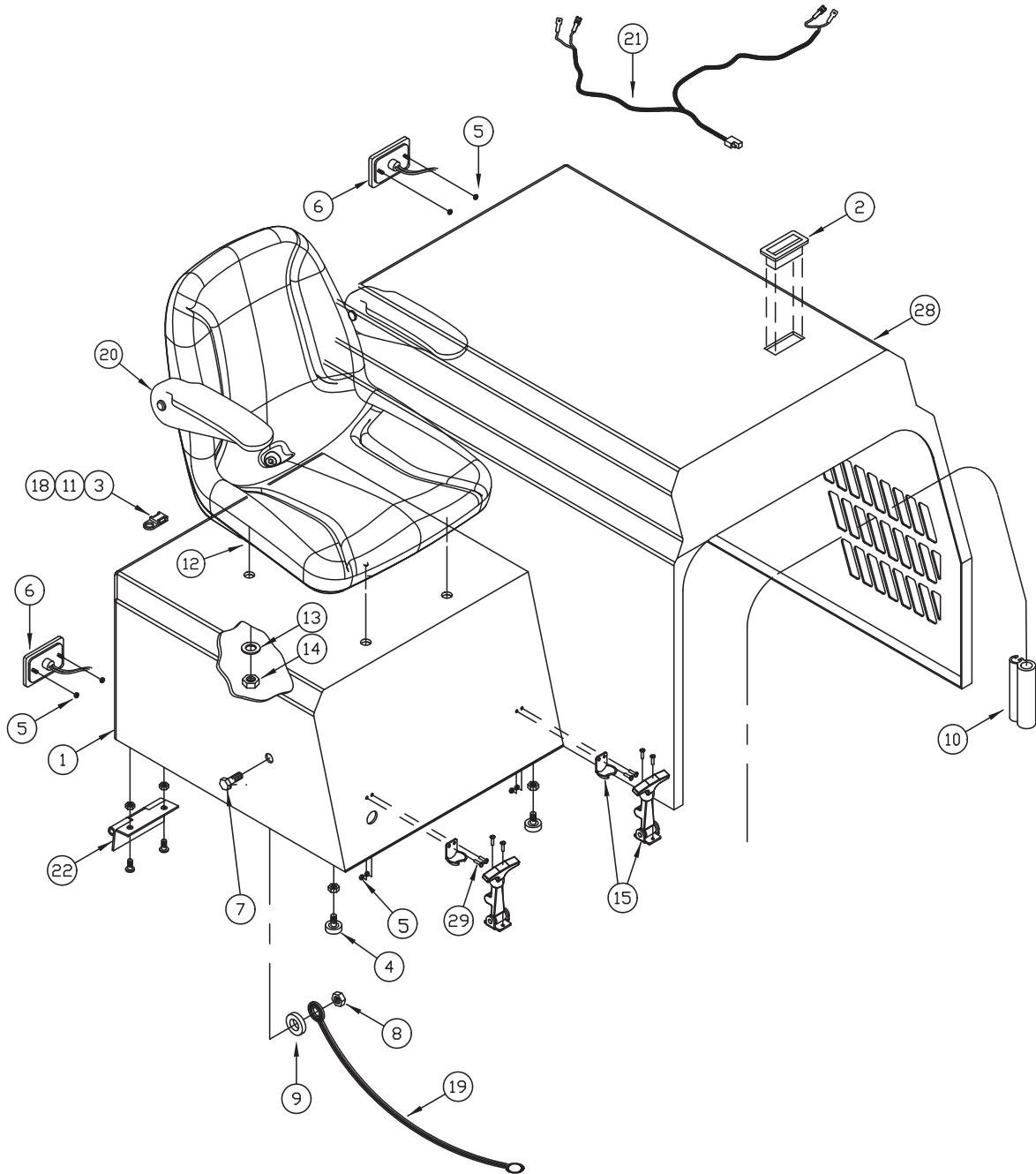
BATTERY			
ITEM	PART NO.	QTY	DESCRIPTION
1	3339406	1	BATTERY - 12VDC
2	3337859	1	MOUNT - BATTERY TRAY
3	3301076	1	HOLD DOWN - BATTERY 2-PIECE
4	3400085	2	NUT - WING 1/4-20 ZP
5	3307634	1	ASSEMBLY - BATTERY CABLE ARMA NEG
6	3307633	1	ASSEMBLY - BATTERY CABLE ARMA POS
7	3301079	2	ROD - BATTERY TIE-DOWN PLTD
8	3305398	2	CLAMP-HYD HOSE, PLATED
9	3400385	2	WASHER - CONICAL SPRING 3/8
10	711250	2	SCR-HH 3/8-16 X 1.25 ZP GR 5
11	3400089	2	WASHER - FLAT 1/4 STANDARD ZP
12	3341162	1	TRAY PAD - BATTERY

MAIN BROOM DOOR



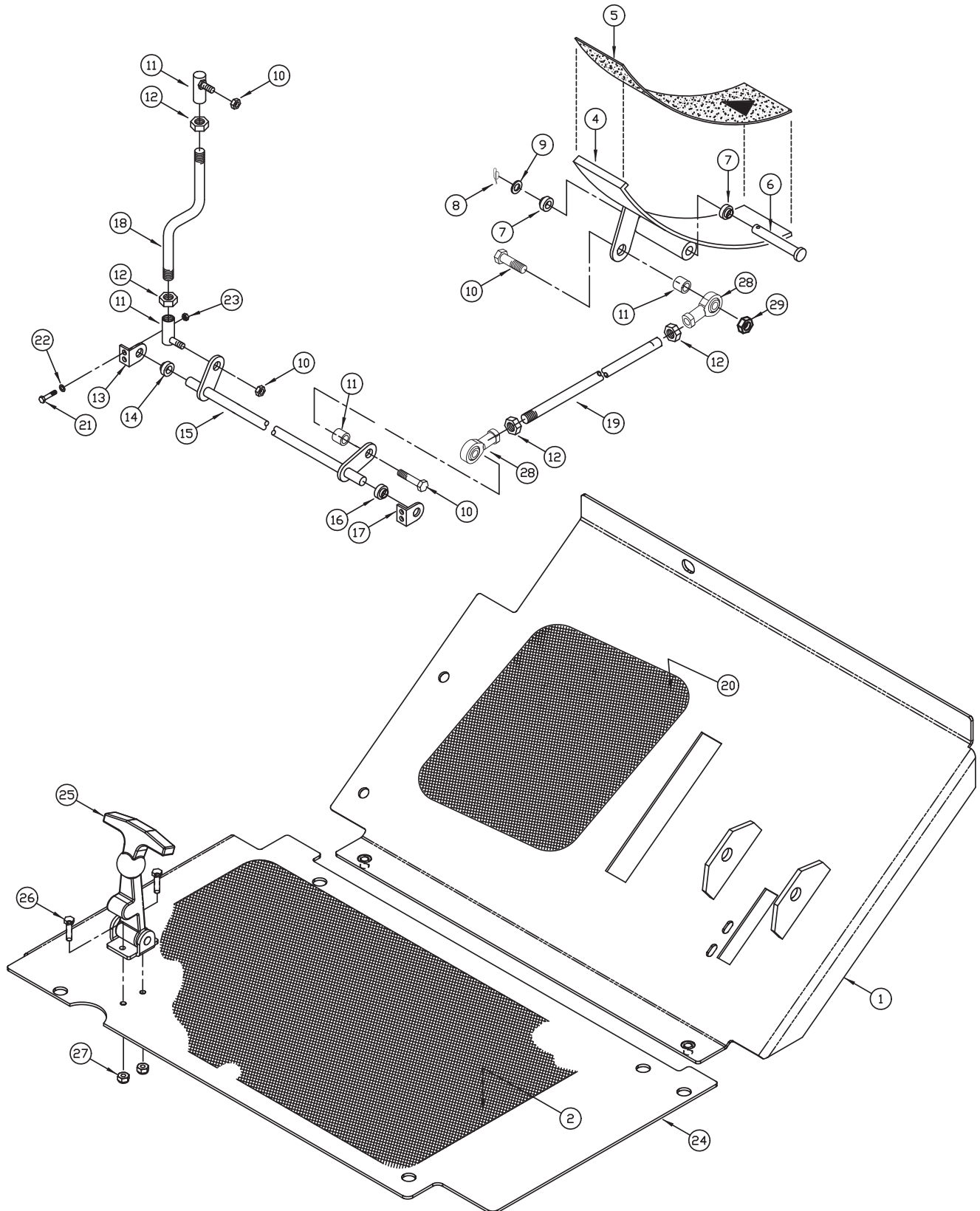
MAIN BROOM DOOR			
ITEM	PART NO.	QTY	DESCRIPTION
*	3318568	1	ASSY- BROOM DOOR R/H
*	3318728	1	ASSY- BROOM DOOR L/H
1	3318567P	1	DOOR—MAIN BROOM
2	3318739	2.3 FT.	WEATHERSTRIPPING—RUBBER SPONGE
3	3318582	1	FLAP—BROOM DOOR
4	3318694	1	HINGE—.125 X 3.0 X 11.12 LONG
5	3400048	4	SCR—SOC #10-32 X 0.75 ZP
6	3318595	1	LATCH—"T" HANDLE
7	3400172	4	NUT—HEX JAM #10-32 ES ZP
8	730717	8	SCR-BHSCS 3/8-16 X 1.00 SS
9	3400092	8	WASHER—FENDER 3/8 ZP
10	3400392	8	NUT—FLANGE LOCK 3/8-16

ENGINE COVER



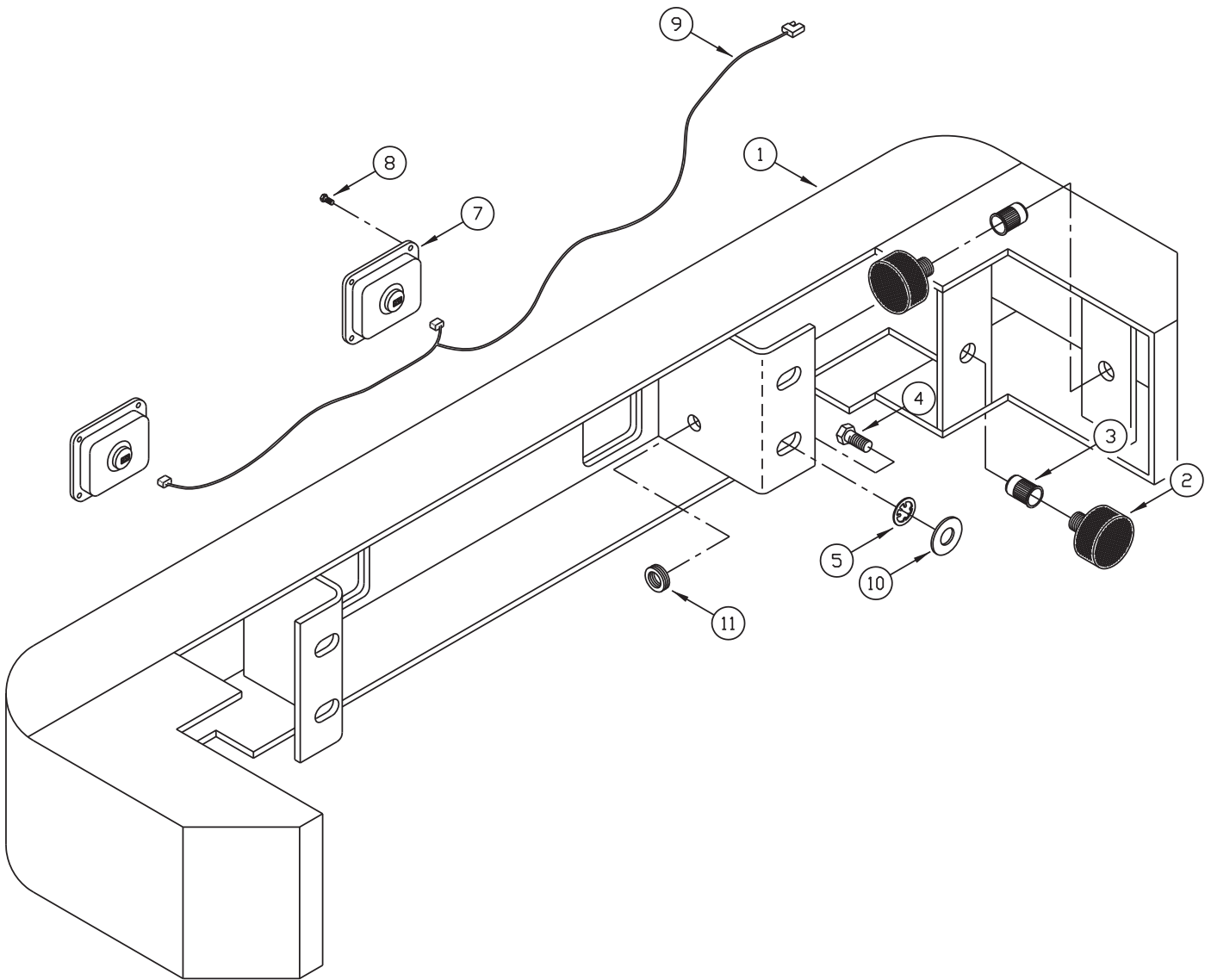
ENGINE COVER			
ITEM	PART NO.	QTY	DESCRIPTION
1	3337680P	1	WELD - SEAT CLIP
2	3311371	1	PULL—REAR CLIP
3	3302472	6	MOUNT—WIRE TIE LOW PROFILE
4	3300526	2	BUMPER-RUBBER 1/4 ID X 1/8 THK
5	3400172	10	NUT-JAM 10-32 ZP NYLOC
6	3311373	2	LIGHT—REAR TAIL RED
7	730717	1	SCR-BHSCS 3/8-16 X 1.00 SS
8	711380	1	NUT-NYLOC 3/8-16 ZP
9	3400087	1	WASHER-FLAT 3/8 ZP
10	3500198	5.5 FT.	SEAL—TRIM CAB
11	3400484	8	RIVET—AVDEL 3/16 X .602
12	620219	1	SEAT STD W SEAT BELT RECEIVERS
13	3400088	4	WASHER—5/16 FENDER
14	711374	4	NUT-NYLOC 5/16-18 ZP
15	600265	2	LATCH, T-HANDLE & KEEPER
18	3302472	6	MOUNT-WIRE TIE LOW PROFILE
19	3318693	1	CABLE, ENGINE CLIP
20	620239	1	ARM-REST
21	3338311	1	HARNESS, TAIL-LIGHTS 7AMD
22	3337979	2	HINGE - 4" LG X 1/4 PIN
28	3337690P	1	WELD - ENGINE COVER
29	3400044	4	SCR-HEX,#10-32X0.75 ZP

DIRECTION CONTROL ASSEMBLY



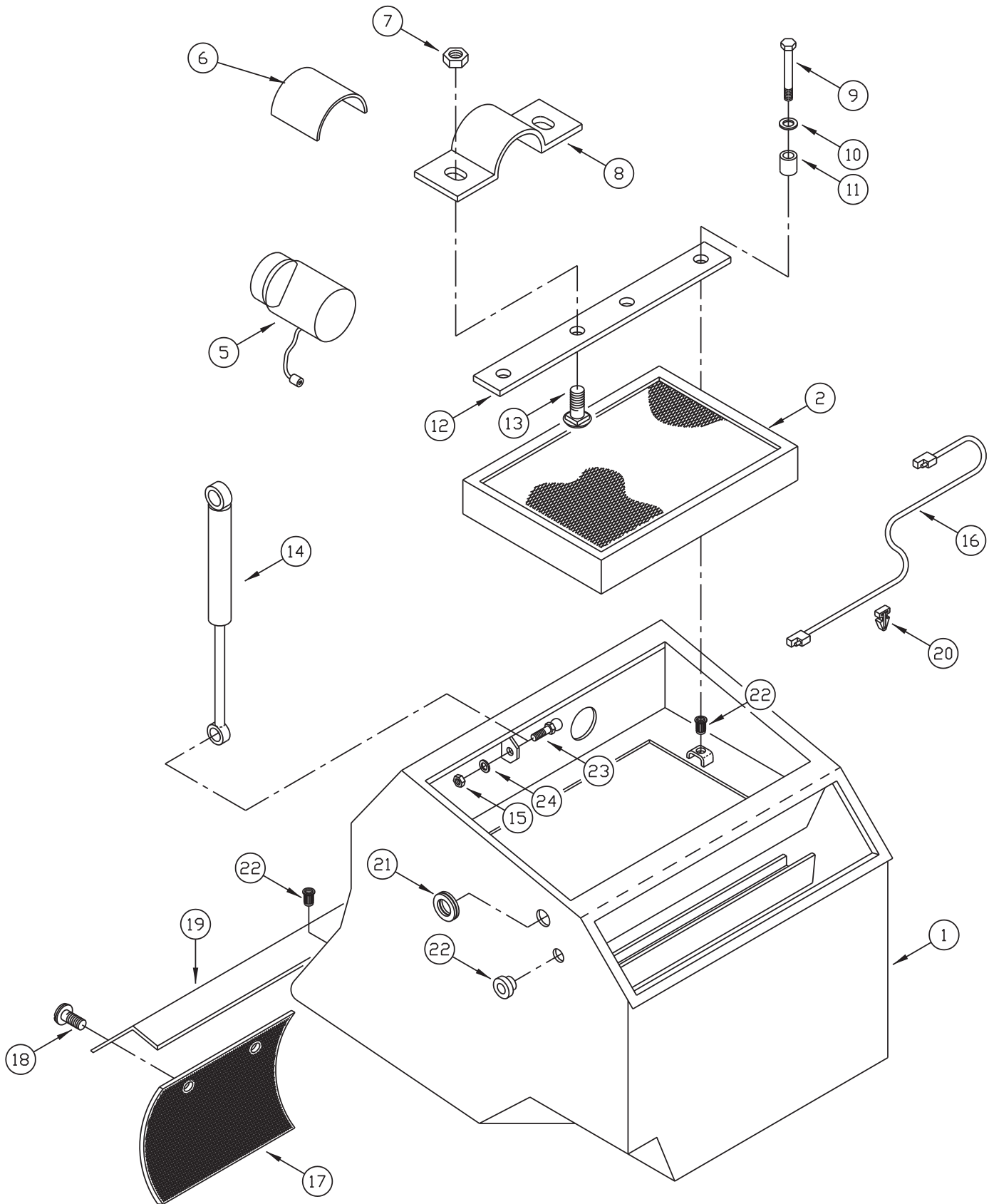
DIRECTION CONTROL ASSEMBLY			
ITEM	PART NO.	QTY	DESCRIPTION
1	3337974	1	ASSY- FLOOR PAN UPPER
2	730988	1	PAD, FLOOR
4	3300737	1	WELD—PEDAL FWD / REV PNTD
5	3300544	1	PAD—FOOT PEDAL
6	3400114	1	PIN—CLEVIS 3/8 X 4.00 ZP
7	3300414	2	BUSHING—PLASTIC MN BRM
8	3400125	1	PIN—COTER 3/8 RUE-RING
9	3400087	1	WASHER-FLAT 3/8 STANDARD ZP
10	711247	2	NUT-HEX 3/8-24 ES ZP
11	3301085	4	SPACER-FRONT BUMPER PLTD
12	3400075	4	NUT-HEX JAM 3/8-24 ZP
13	3307223	1	MNT—BUSHING DIR CONT
14	3307220	1	BEARING—DIR CONTROL
15	3338013	1	WELD—DIR TORQUE TUBE
16	3307220	1	BEARING—DIR CONTROL
17	3307223	1	MNT—BUSHING DIR CONT
18	3336017	1	ROD-SHORT DIRECTIONAL ZP
19	3336697	1	ROD FWD/REV - DIR CONTROL PEDAL
20	3309734	1	FLOOR MAT—SMALL
21	3400035	2	SCREW-HEX,5/16-18X1.00 ZP
22	3400278	2	WASHER-FENDER 3/8 ZP
23	3400480	2	NUT-HEX 10-24
24	3337913P	1	FLOOR BOARD - LOWER
25	600265	2	LATCH, T-HANDLE & KEEPER
26	3400044	4	SCR-HEX,#10-32X0.75 ZP
27	3400172	4	NUT-HEX JAM #10-32 ES ZP
28	3308762	2	ROD END-FEMALE 3/8-24
29	711380	2	NUT-NYLOC 3/8-16 ZP

BUMPER



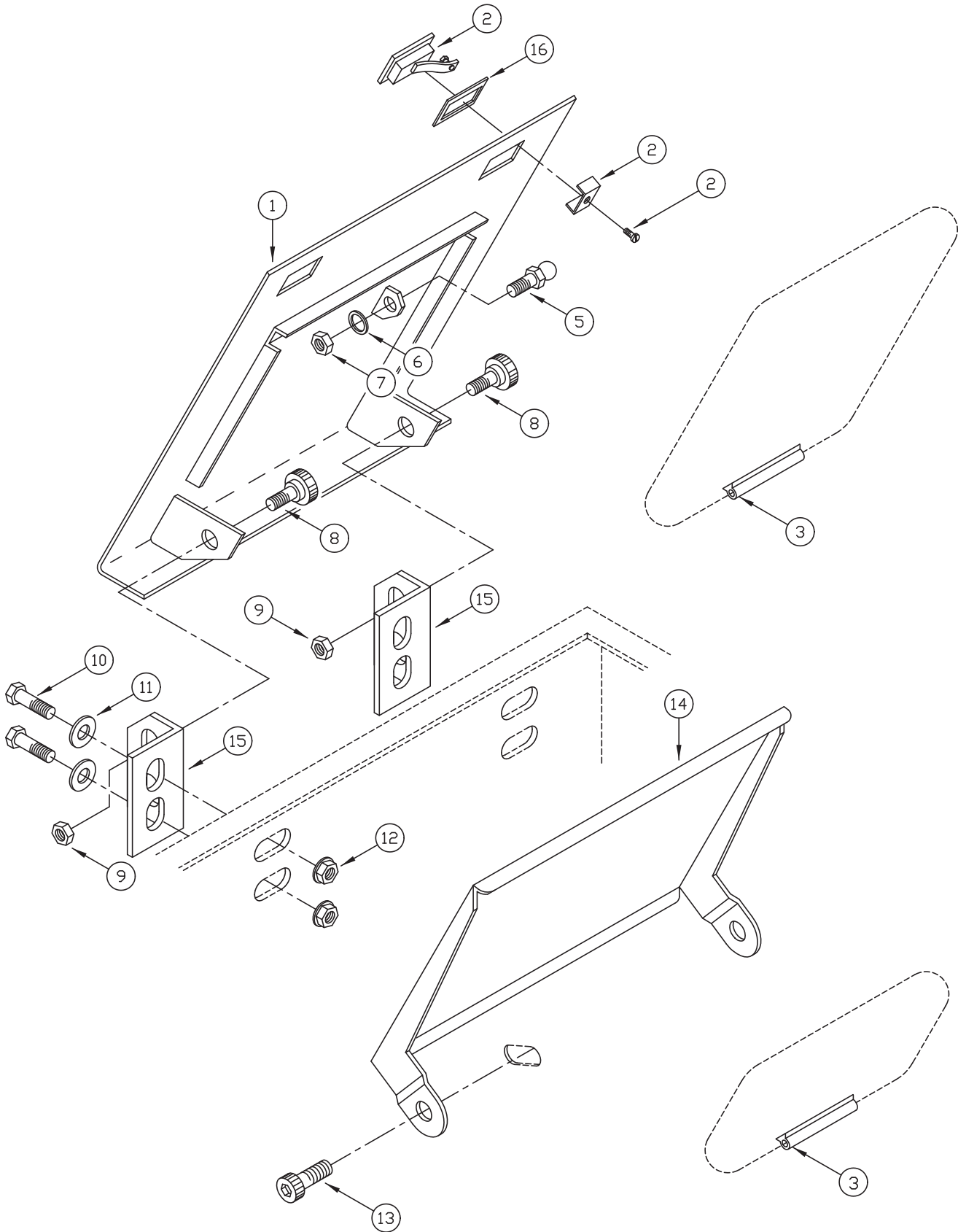
BUMPER			
ITEM	PART NO.	QTY	DESCRIPTION
1	3318577P	1	WELD—FRONT BUMPER
2	3316871	4	BUMPER—RUBBER
3	3322186	4	INSERT—3/8-16 UNC
4	711250	4	SCR-HH 3/8-16 X 1.25 ZP GR 5
5	3316981	4	RETAINER—BUMPER BOLT ARMA
7	3315839	2	HEADLIGHT—FLUSH MOUNT HALOGEN
8	3311374	8	SCR—HEX 1/4-14 X 3/4 SELF TAP
9	3338313	1	WIRE HARNESS, HEADLIGHTS, 7AMD
10	3400385	4	WASHER-CONICAL SPRING 3/8
11	3311564	1	GROMMET—1/2 ID RUBBER

HOPPER



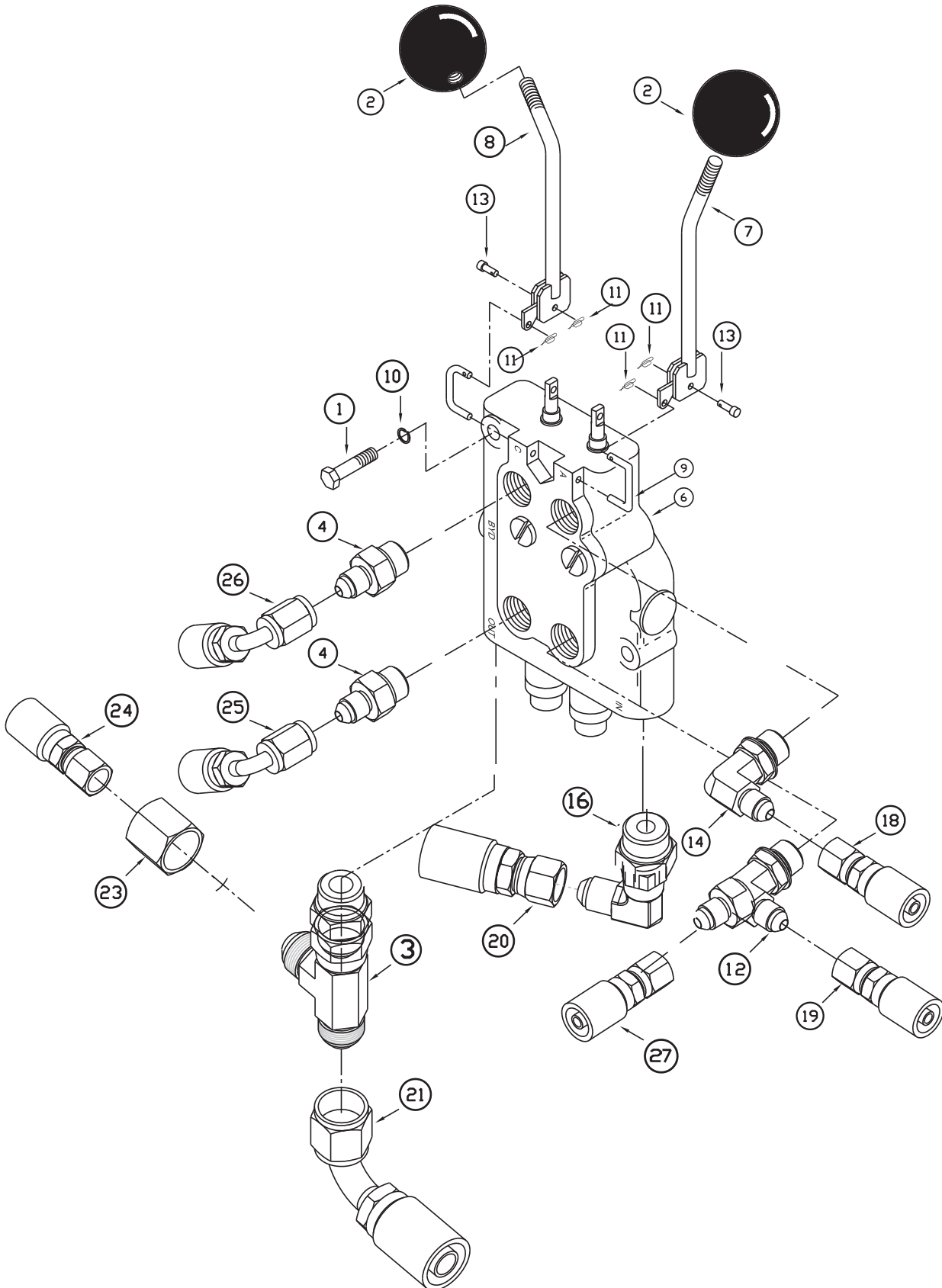
HOPPER			
ITEM	PART NO.	QTY	DESCRIPTION
1	3318609M	1	WELD - HOPPER
2	3334166	1	FILTER-POLYESTER HOP 62IC 62E 555030X15
5	748149-1	1	ASSY, SHAKER MOTOR W/CONNECTOR
6	3300904	1	MOUNT - NEOPRENE SHAKER MOTOR
7	711374	2	NUT-NYLOC 5/16-18 ZP
8	750073	1	BRACKET SHAKER MOTOR
9	3400501	2	SCR - HEX 3/8-16 X 4.00 ZP
10	3400278	2	WASHER-FENDER 3/8 X 1.25 ZP
11	3307850	2	ISOLATOR - HOPPER FILTER
12	661009	1	MOUNT-SHAKER MOTOR, AM7D
13	70-516-16	2	BLT-CARR 5/16-18 X 1 ZP
14	3305006	1	SPRING - GAS
15	3400070	1	NUT - HEX 5/16-18 ZP
16	3338312	1	WIRE HARNESS, HOPPER, 7AMD
17	3311237	4	FLAP - HOPPER LIP
18	710986	8	SCR-BHSCS 3/8-16 X 1.00 ZP
19	3311238	1	ANGLE - HOPPER FLAP RETAINER
20	3400784	3	MOUNT - CABLE TIE
21	3301665	1	GROMMET - Z - 2056
22	3322186	12	INSERT 3/8-16 UNC
23	3300376	1	STUD - BALL GAS SPRING
24	3400102	1	WASHER - LOCK 5/16 SPLIT ZP

HOPPER HOOD AND LID ASSEMBLIES



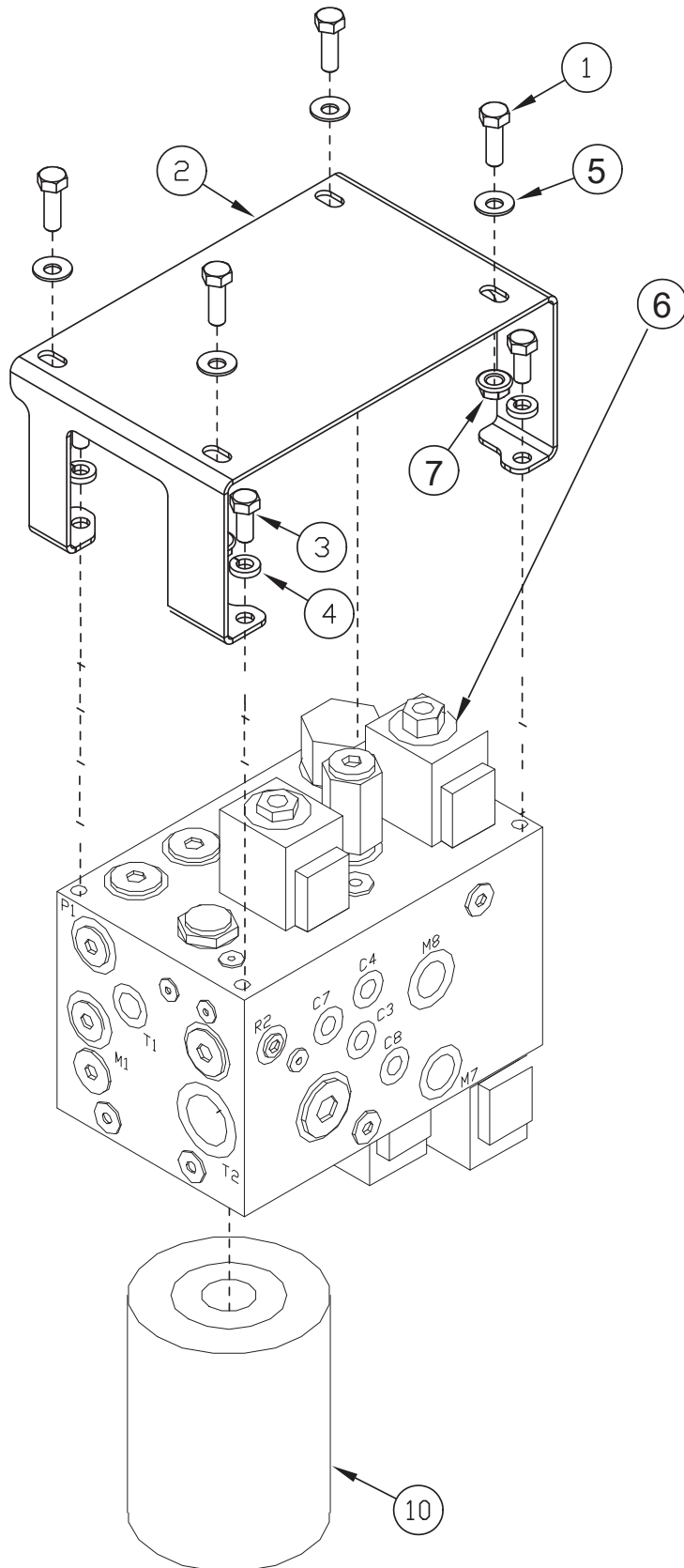
HOPPER HOOD AND LID ASSEMBLIES			
ITEM	PART NO.	QTY	DESCRIPTION
1	661049	1	HOOD, HOPPER, AM7D/6X
2	3337930	2	LATCH ASSEMBLY
3	3318739	7.0 FT.	WEATHER STRIPPING—RUBBER SPONGE
5	3300376	1	STUD—BALL GAS SPRING
6	3400102	1	WASHER—LOCK 5/16 SPLIT ZP
7	3400070	1	NUT—HEX 5/16-18 ZP
8	3400052	2	SCR—HSS 5/16 DIA X .25 ZP
9	711228	2	SCR-HH 5/16-18 X .75 ZP GR 5
10	3400035	4	SCR—HEX 5/16-18 X 1.00 ZP
11	3400384	4	WASHER—CONICAL SPRING 5/16
12	711379	4	NUT-FLANGED WIZZ 5/16-18 ZP
13	3400170	2	SCR—HSS 1/2 DIA X .31 ZP
14	3318540P	1	LID—HOPPER
15	3311245	2	HINGE—FILTER COVER PAINTED
16	3337981	2	GASKET - LATCH

CONTROL VALVE



CONTROL VALVE			
ITEM	PART NO.	QTY	DESCRIPTION
1	3400039	2	SCR-HH 1/4-20 X 2.00 ZP GR 5
2	3300562	2	KNOB—BALL 1.375" DIA #95 BLACK
3	675525	1	FTG-STR THD RUN TEE -8 ORFS TO -8 SAE
4	675511	2	FTG-STR THD CONNECTOR -4 ORFS TO -6 SA
6	3338092	1	DIR CONTROL VALVE—SW6XV
7	3313278	1	WELD—VALVE HANDLE LH 62 G&D
8	3313277	1	WELD—VALVE HANDLE RH 62 G&D
9	3313298	2	LINK—U CONTROL SW62 GAS/DSL/LP
10	3400103	2	WASHER—LOCK 1/4 SPLIT ZP
11	3400742	4	RUE RING—1/4 HEAVY ZP
12	675516	1	FTG-STR THD RUN TEE -6 ORFS TO -6 SAE
13	620141	2	PIN-CLEVIS 3/16 X 3/4, ZP
14	675546	2	FTG-STR THD ELBOW -4 ORFS TO -6 SAE
16	675562	1	FTG—ADPT ST THD 3/4-16 TO #6
18	675485	1	HOSE HOP A (STR) TO BASE HOP LFT (STR)
19	675480	1	HOSE HOP B (90) TO ROD HOP LIFT (STR)
20	675487	1	HOSE HOP IN (STR) TO STR PB (45)
21	675470	1	HOSE CHRG T (STR) TO HOP OUT (90)
22	675573	1	FTG-REDUCER 1/2" TO 3/8 OD TUBE
24	675486	1	HOSE HOP OUT (STR) TO STR T (45)
25	675484	1	HOSE HOP C (90) TO HOP ROT BASE (STR)
26	675483	1	HOSE HOP D (90) TO HOP ROT ROD (STR)
27	675468	1	HOSE CHRG T (90) TO HOP B PORT (STR)

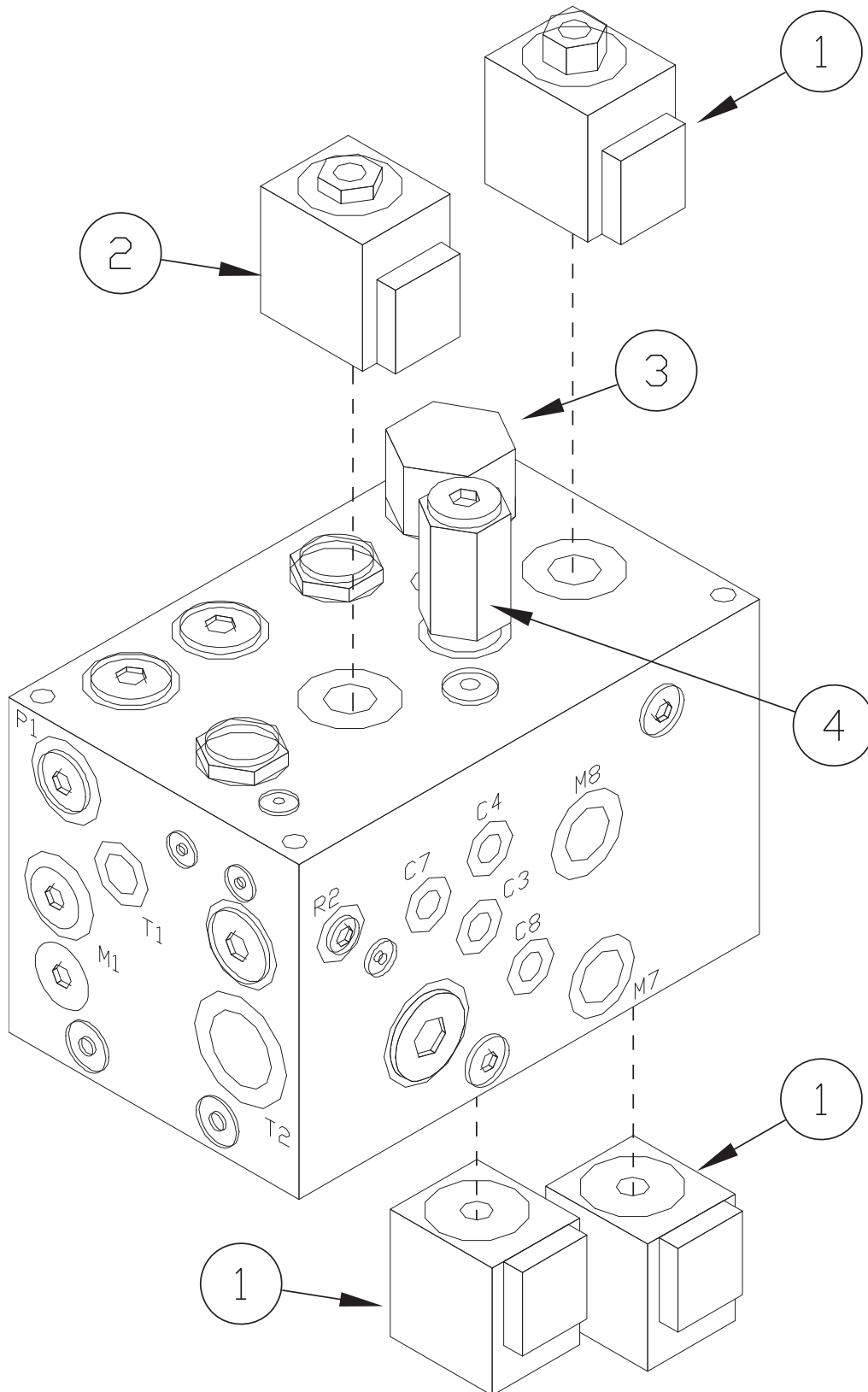
HYDRAULIC MANIFOLD ASSEMBLY



HYDRAULIC MANIFOLD ASSEMBLY			
ITEM	PART NO.	QTY	DESCRIPTION
1	3400035	4	SCREW-HEX,5/16-18X1.00 ZP
2	3336666	1	MOUNT, HYDRAULIC MANIFOLD
3	711228	4	SCR-HH 5/16-18 X .75 ZP GR 5
4	3400102	4	WASHER—LOCK 5/16 SPLIT ZP
5	3400384	4	WASHER-CONICAL SPRING 5/16
6	3338100	1	VALVE—HYD MANIFOLD SWEEPERS
7	3400390	4	NUT-FLANGE LOCK 5/16-18
10	3300359	1	FILTER - HYD

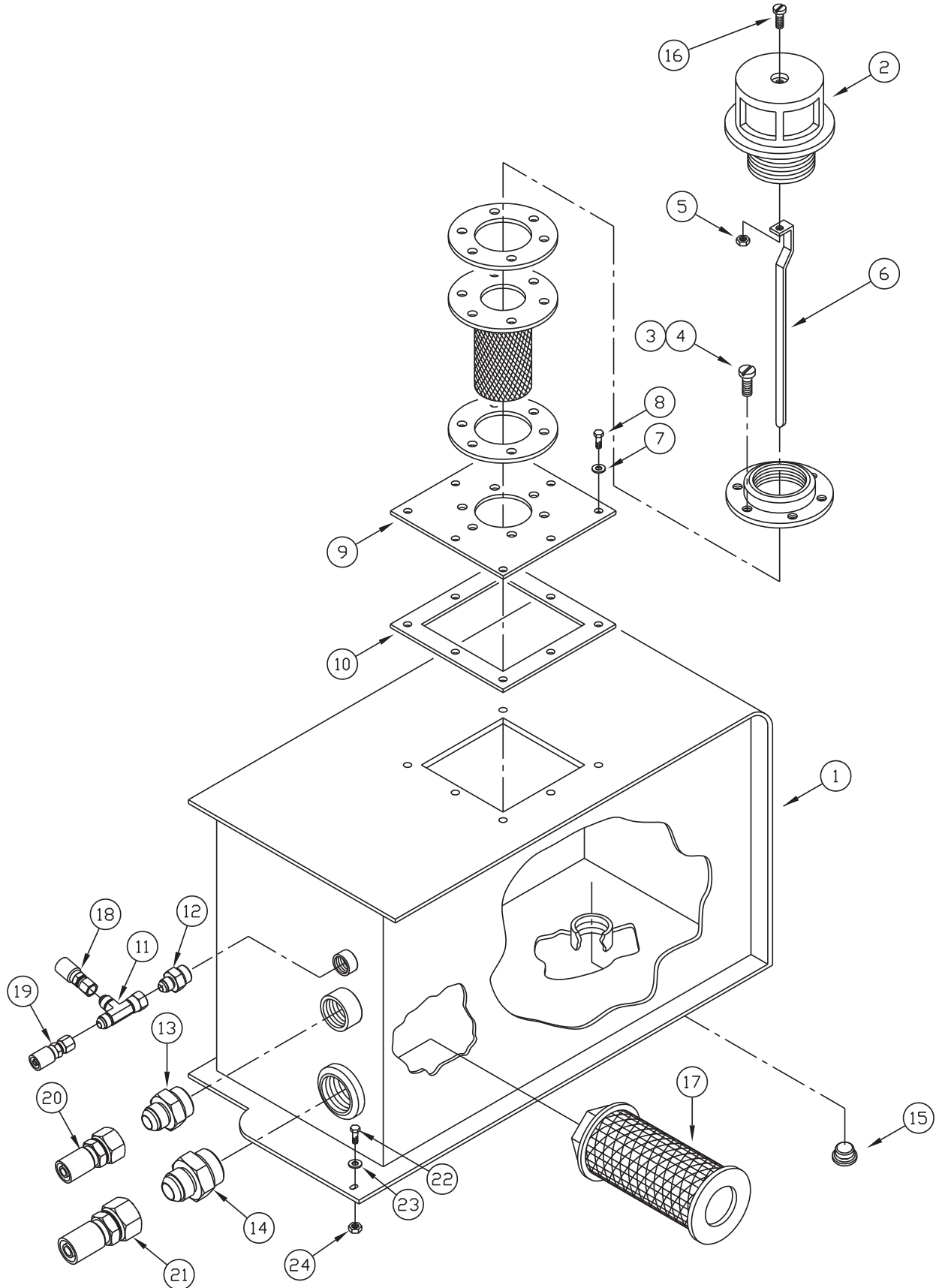
PORT NO.	FITTING PART #	HOSE PART #
C1	3331436 (PLUG)	N/A
C2	3331436 (PLUG)	N/A
C3	675507	675478
C47	675508	675479
C7	675508	675488
C8	675517	675469
M3	675523	675477
M4	675523	675476
M5	675523	675471
M6	675575	675472
M7	675527	675465
M8	675527	675467
P2	675523	675466
ST	675515	675475
T1	675572	675464
T2	675571	675462

HYDRAULIC MANIFOLD



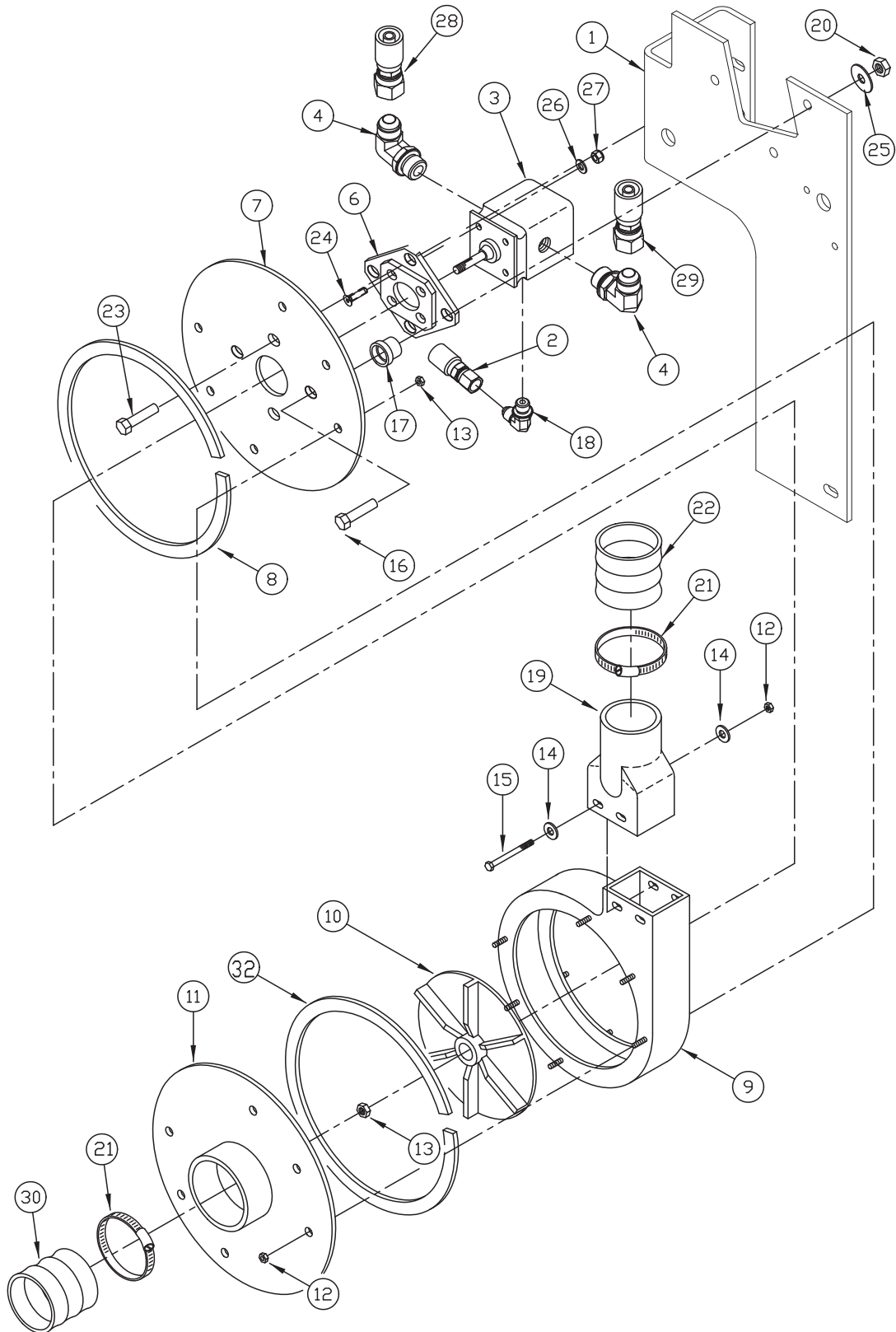
HYDRAULIC MANIFOLD			
ITEM	PART NO.	QTY	DESCRIPTION
1	3338101	3	SOLENOID VALVE(SVC PART ONLY)
*	3331353	3	COIL-EATON SPECIAL
2	3338102	1	SOLENOID VALVE(SVC PART ONLY)
*	3331353	1	COIL-EATON SPECIAL
3	3337629	1	FLOW REGULATOR
4	3337630	1	RELIEF VALVE

HYDRAULIC RESERVOIR



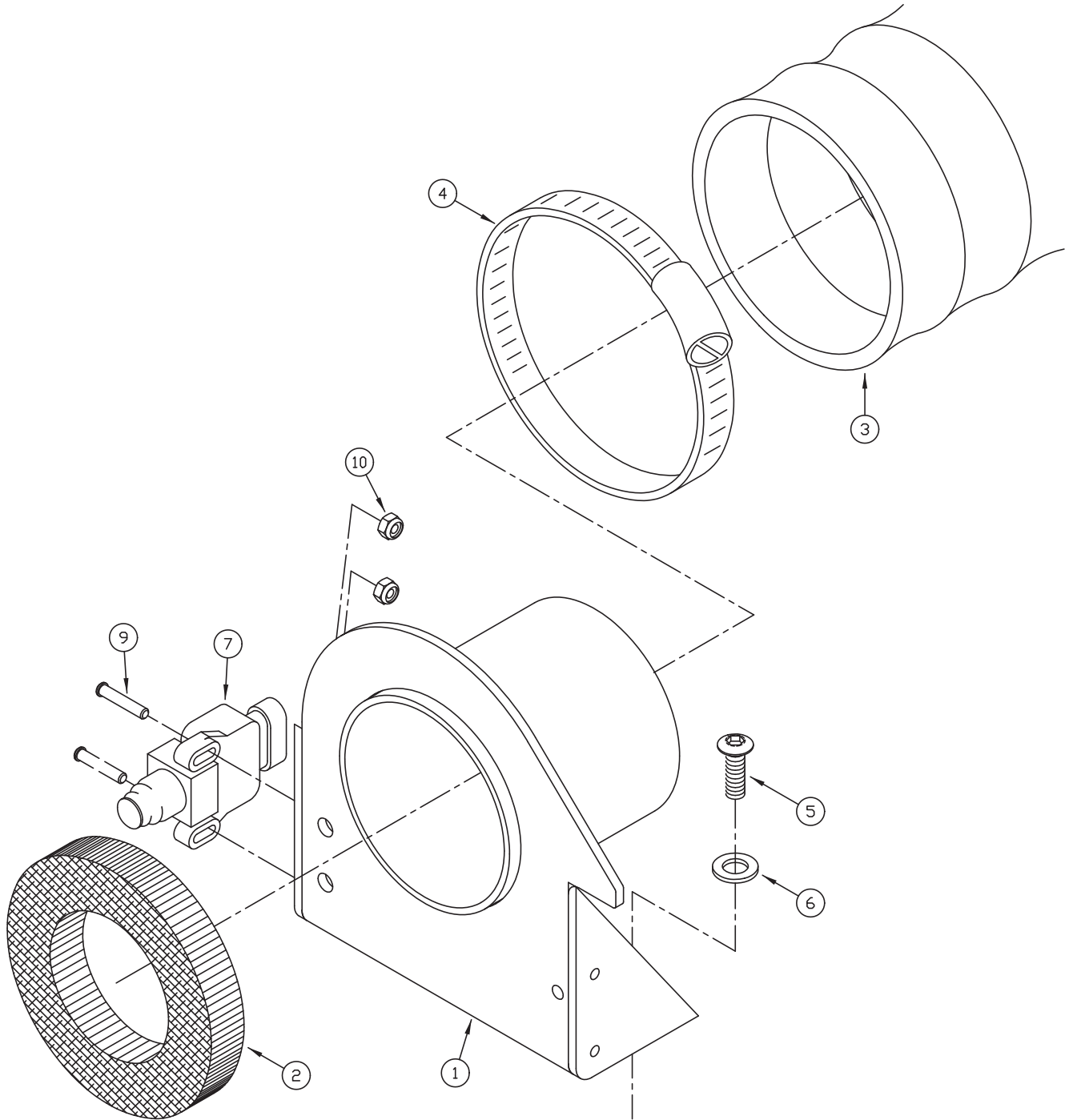
HYDRAULIC RESERVOIR			
ITEM	PART NO.	QTY	DESCRIPTION
1	3338019	1	WELD—HYDRAULIC RESERVOIR
2	3305576	1	FILTER—BREATHING ASSEMBLY
3	3400044	1	SCR—HEX,#10-32X0.75 ZP
4	3400172	1	NUT—HEX JAM #10-32 ES ZP
5	3400082	1	NUT—HEX #8-32 ES ZP
6	3312273	1	DIPSTICK—HYD SW/62 DSL
7	3302249	2	SPACER-NYLON .56 OD .25 ID .18
8	3400040	1	SCR—HEX,1/4-20X1.00 ZP
9	3332336	1	COVER-RESERVIOR 6XV
10	3300007	1	GASKET—SOLUTION TANK
11	675522	1	FTG-STR THD RUN TEE -6 ORFS TO -8 ORFS T
12	675552	1	FTG-STR THD 45 -6 ORFS TO -6 SAE
13	675535	1	FTG-STR THD ELBOW -12 ORFS TO -16 SAE
14	675560	1	FTG—STR CONN (16FTX-S)
15	3400164	1	FTG—PLUG 3/4-16 O RING
16	3400045	1	SCR—PAN,#8-32X0.62,SLT ZP
17	3307573	1	STRAINER—HYDRAULIC TM-15
18	675463	1	HOSE RES (90) TO IMP CD (STR)
19	675464	1	HOSE RES (STR) TO T1 (STR)
20	675461	1	HOSE COO OUT (STR) TO RES (90)
21	675460	1	HOSE RES (STR) TO HYD (45) PUMP
22	711250	4	SCR-HH 3/8-16 X 1.25 ZP GR 5
23	3400385	4	WASHER-CONICAL SPRING 3/8
24	3400392	4	NUT-FLANGE LOCK 3/8-16

IMPELLER



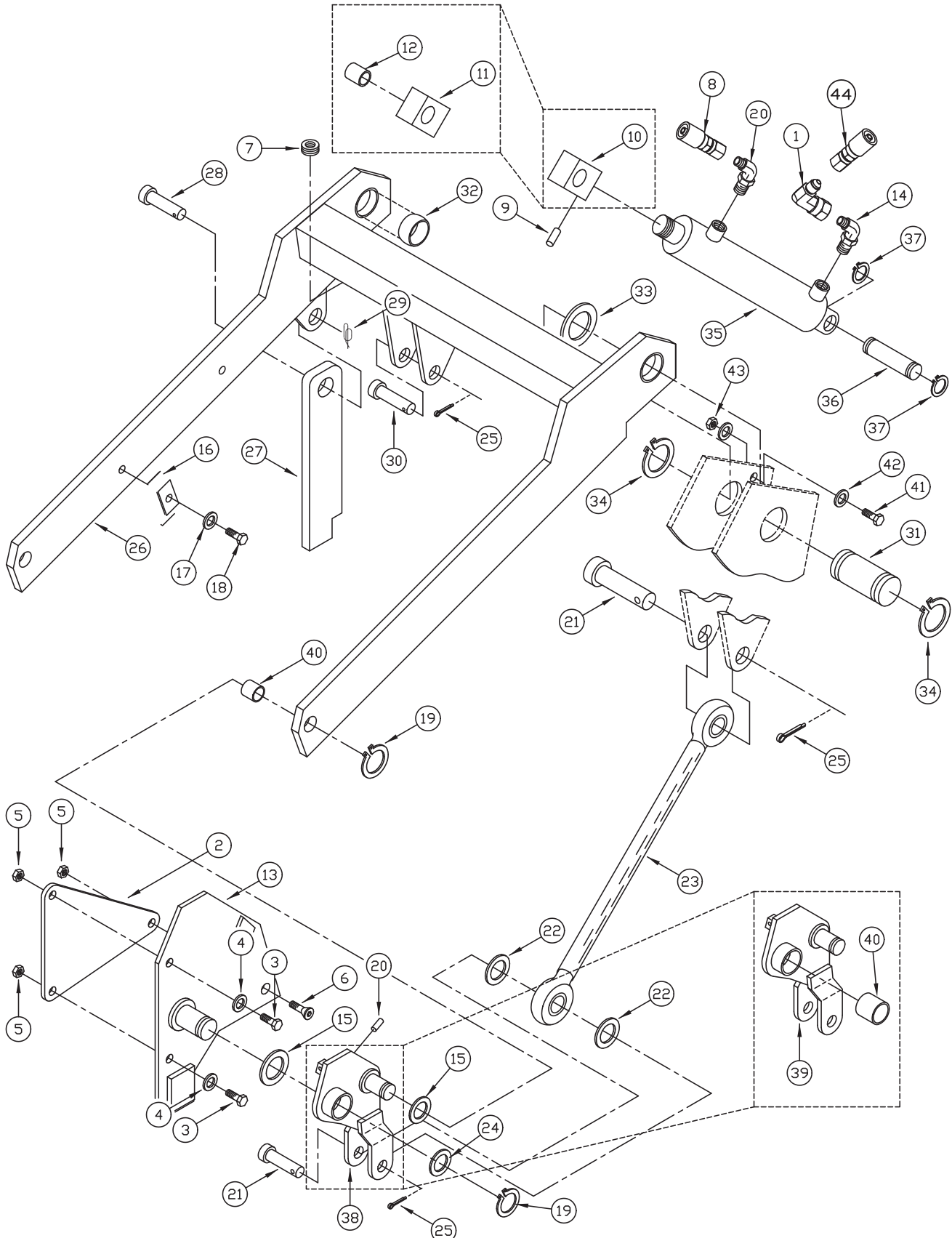
IMPELLER			
ITEM	PART NO.	QTY	DESCRIPTION
1	3338016	1	MOUNT—IMPELLER
2	675463	1	HOSE RES (90) TO IMP CD (STR)
3	3313008	1	MOTOR—HYDRAULIC IMPELLER
4	675524	2	FTG-STR THD CONNECTOR -8 ORFS TO -8 SA
6	3307152	1	WELD—IMPELLER MOTOR MNT PNTD
7	3322121	1	MOUNT—IMPELLER MOTOR PNTD
8	3335458	1	GASKET-TOP IMPELLAR, ARMA
9	3307004	1	SHROUD—IMPELLER PNTD
10	3307003	1	IMPELLER—ARMA CASTING & MACHIN
11	3311334	1	ASSEMBLY—IMPELLER INLET PLATE PNTD
12	711373	14	NUT-NYLOC 1/4-20 ZP
13	3400420	1	NUT—HEX 5/16-24 ES
14	3400089	4	WASHER—FLAT 1/4 STANDARD ZP
15	3402008	2	SCR—HEX 1/4-20 X 3.75 ZP
16	3400027	3	SCR—HEX 3/8-16 X 1.75 ZP
17	3300465	4	MOUNT—ISOLATION
18	675508	1	FTG-STR THD CONNECTOR -4 ORFS TO -4 SA
19	3315347	1	EXHAUST—IMPELLER 9XV
20	711380	4	NUT-NYLOC 3/8-16 ZP
21	3300351	1	CLAMP-HOSE, 4.5" DIA, SS
22	3338227	1	HOSE-IMPELLER EXHAUST, 3.5 DIA X 30 LG
23	3400028	1	SCREW-HEX, 3/8-16 X 1.50 ZP
24	3400016	4	SCREW-FLT, 5/16-18 X 1.25, SOC ZP
25	3400278	4	WASHER-FENDER 3/8 ZP
26	3400088	4	WASHER-FLAT 5/16 IDX.688 ODX.065 THK
27	711374	4	NUT-NYLOC 5/16-18 ZP
28	675465	1	HOSE REAR IMP (90) TO M7 (STR)
29	675467	1	HOSE FRONT IMP (90) TO M8 (STR)
30	3309034	1	HOSE-IMPELLER
32	3335459	1	GASKET-BOTT IMPELLAR, ARMA

GASKET MOUNT



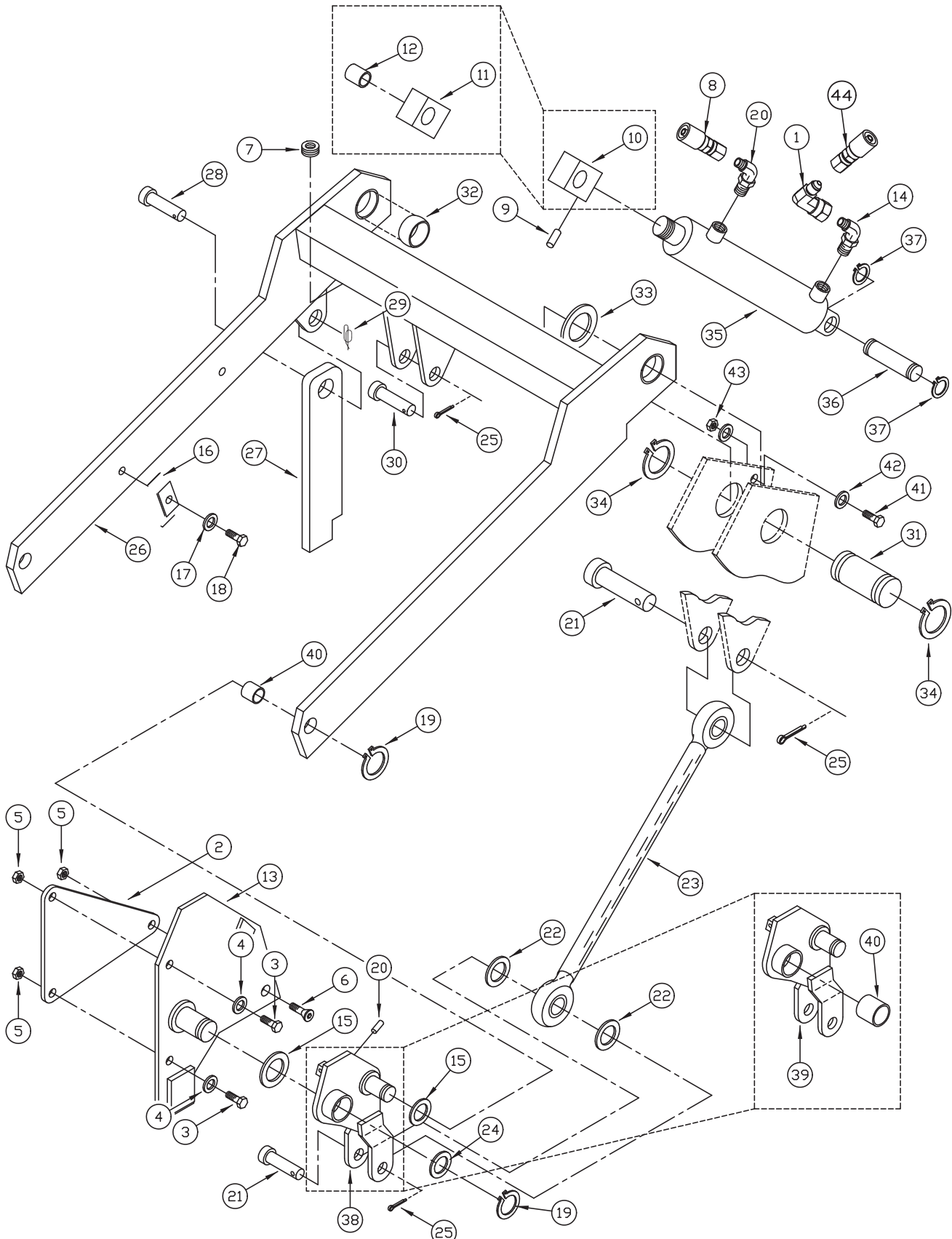
GASKET MOUNT			
ITEM	PART NO.	QTY	DESCRIPTION
1	3318473	1	WELD—GASKET MOUNT
2	3307005	1	GASKET—IMPELLER
3	3309034	1	HOSE—IMPELLER
4	3300351	1	CLAMP—HOSE 4½" DIA.
5	3400030	2	SCR-HH 3/8-16 X 1.00 ZP GR 5
6	3400087	2	WASHER-FLAT 3/8 ZP
7	3335945	1	SWITCH - COBO W/ AMP CONNECTOR
9	710360	2	SCR-PHMS 10-32 X 1 ZP
10	3400172	2	NUT - HEX JAM #10-32 ES ZP

LIFT ARM PART 1



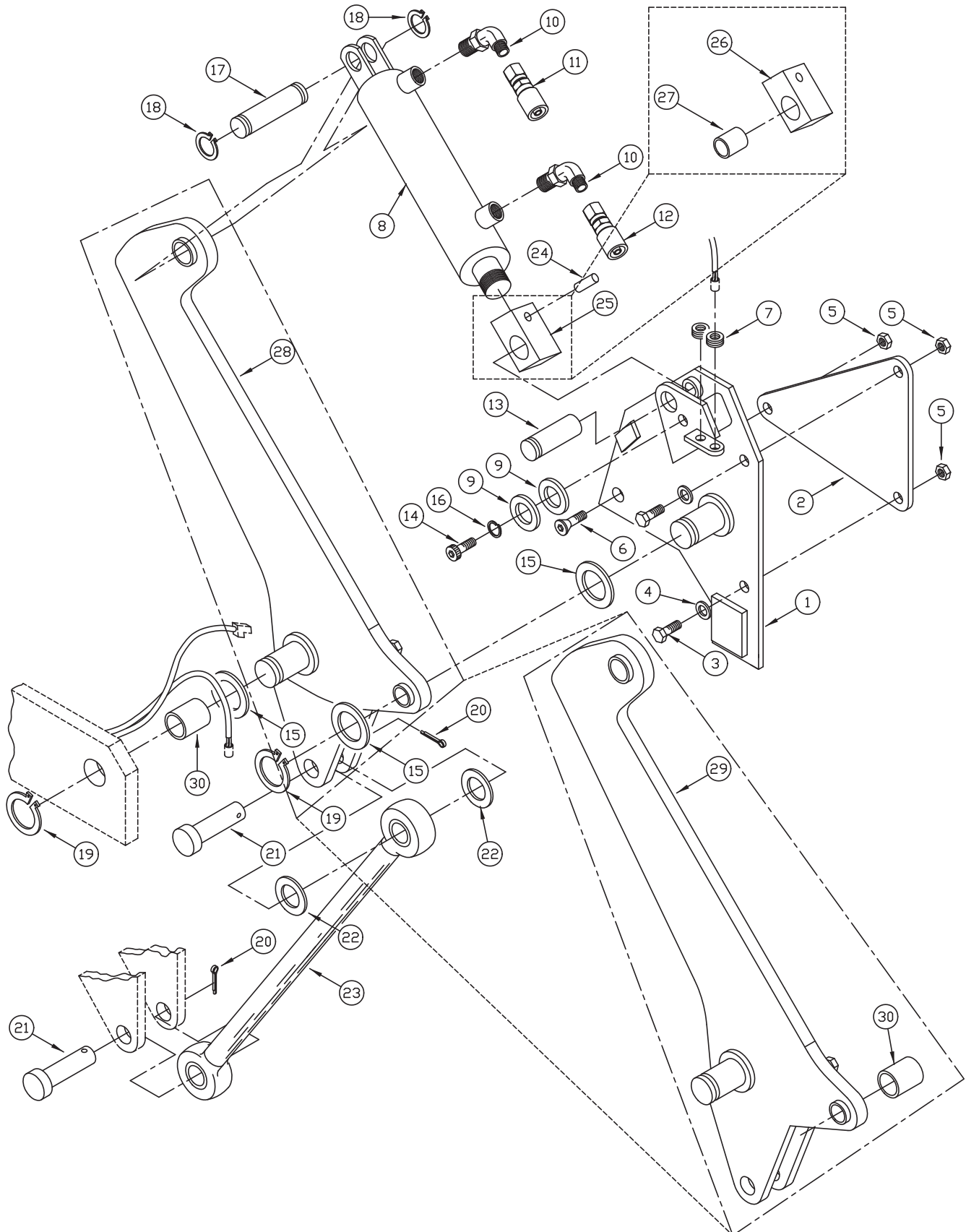
LIFT ARM PART 1			
ITEM	PART NO.	QTY	DESCRIPTION
1	675547	1	FITTING ORIFICE .047 #4
2	3311244	2	PLATE—HOPPER DOUBLER
3	3400030	4	BOLT—3/8-16 X 1.0 LONG
4	3400087	4	WASHER—3/8 FLAT
5	3400392	6	NUT 3/8-16 FLANGE LOCK
6	3400444	2	SCREW—FLAT HD 3/8-16 X 1.0
7	3301665	3	GROMMET—Z2056
8	675480	2	HOSE HOP B (90) TO ROD HOP LIFT (STR)
9	3400054	2	SCREW- SET 1/4-20 X .25 LONG ZP
10	3319089	1	ASSY- BLOCK CYL (INCLUDES ITEMS 11 & 12)
11	3300229	1	ASSEMBLY—BLOCK CYLINDER PLTD
12	3300552	1	BEARING—1.0ID X 1.50LG
13	3311212P	1	ASSEMBLY—ROTATION PLATE LH
14	675507	4	FTG-STR THD ELBOW -4 ORFS TO -4 SAE
15	3311458	4	BEARING—FIBERGLIDE LTD-2442
16	3305398	2	CLAMP-HYD HOSE, PLATED
17	3400385	2	WASHER-CONICAL SPRING 3/8
18	711250	2	SCR-HH 3/8-16 X 1.25 ZP GR 5
19	3311330	4	RETAINING RING 5100-150
20	675567	1	FTG-STR THD ELBOW
21	3400439	2	PIN—CLEVIS 3/4 X 2.00
22	3311012	4	WASHER—HI-DUMP SPACER SEC. ARM
23	661015	2	ASSEMBLY—SECONDARY LIFT ARM
24	3311219	2	WASHER-SPACER ROTATION PLT ZP
25	3400121	5	PIN-COTTER 5/32 X 1.50 ZP
26	3338096M	1	WELD—LIFT ARM
27	3311316	1	SAFETY ARM PAINTED
28	3400462	1	PIN—CLEVIS 5/8 X 1.5
29	3400124	1	PIN—COTTER 5/8 RUE-RING

LIFT ARM PART 1 (CONTINUED)



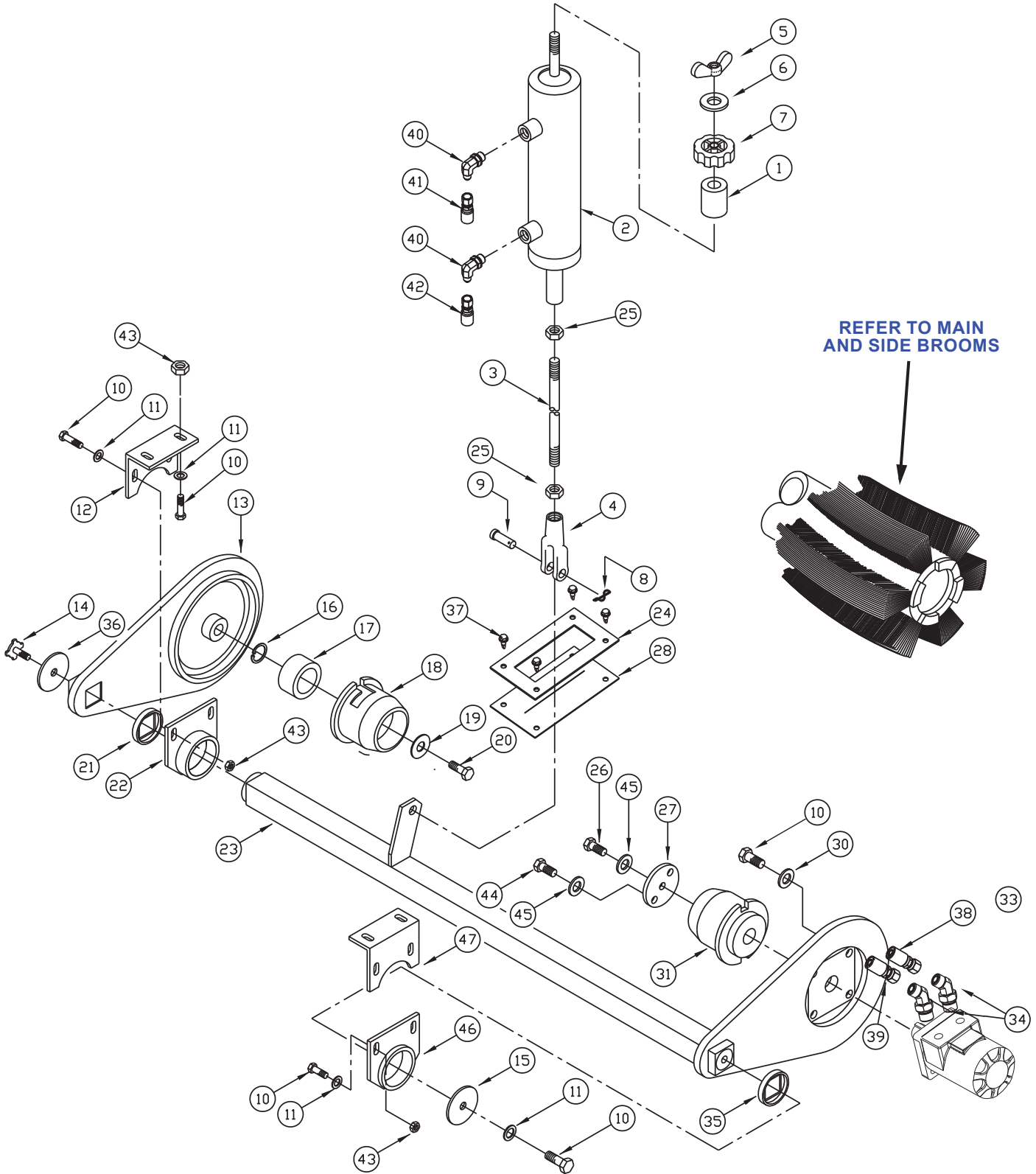
LIFT ARM PART 1			
ITEM	PART NO.	QTY	DESCRIPTION
30	3400472	1	PIN—CLEVIS 1.0 X 3.0 ZP
31	3337952	2	WELD - ROTATION PIN ZP
32	3300836	2	BEARING—2.18OD X 2.00ID X .75
33	3300882	4	WASHER-HD 3.25 ODX2.00 ID
34	3307431	4	RING-RETAINING EXT LIFT CYL
35	3318711	1	CYLINDER3"BORE X 13.25 STROKE
	3330887	1	KIT—CYLINDER SEAL (GREEN MFG)
	3331331	1	KIT—CYLINDER SEAL (GOLD STAR)
36	3307408	1	PIN—CYLINDER MOUNT
37	3307431	2	RING—RETAIING 5100-125
38	3311724	1	ASSY- LIFT ARM IDLER (INCLUDES ITEMS 39 & 40)
39	3311198P	1	ASSEMBLY—LIFT ARM IDLER
40	3311457	2	BEARING—FIBERGLIDE CJS-2428
41	3400030	2	SCR-HEX,3/8-16X1.00, GRADE 5, ZP
42	3400087	4	WASHER-FLAT 3/8 STANDARD ZP
43	711380	2	NUT-NYLOC 3/8-16 ZP
44	675485	1	HOSE HOP A (STR) TO BASE HOP LFT (STR)

LIFT ARM PART 2



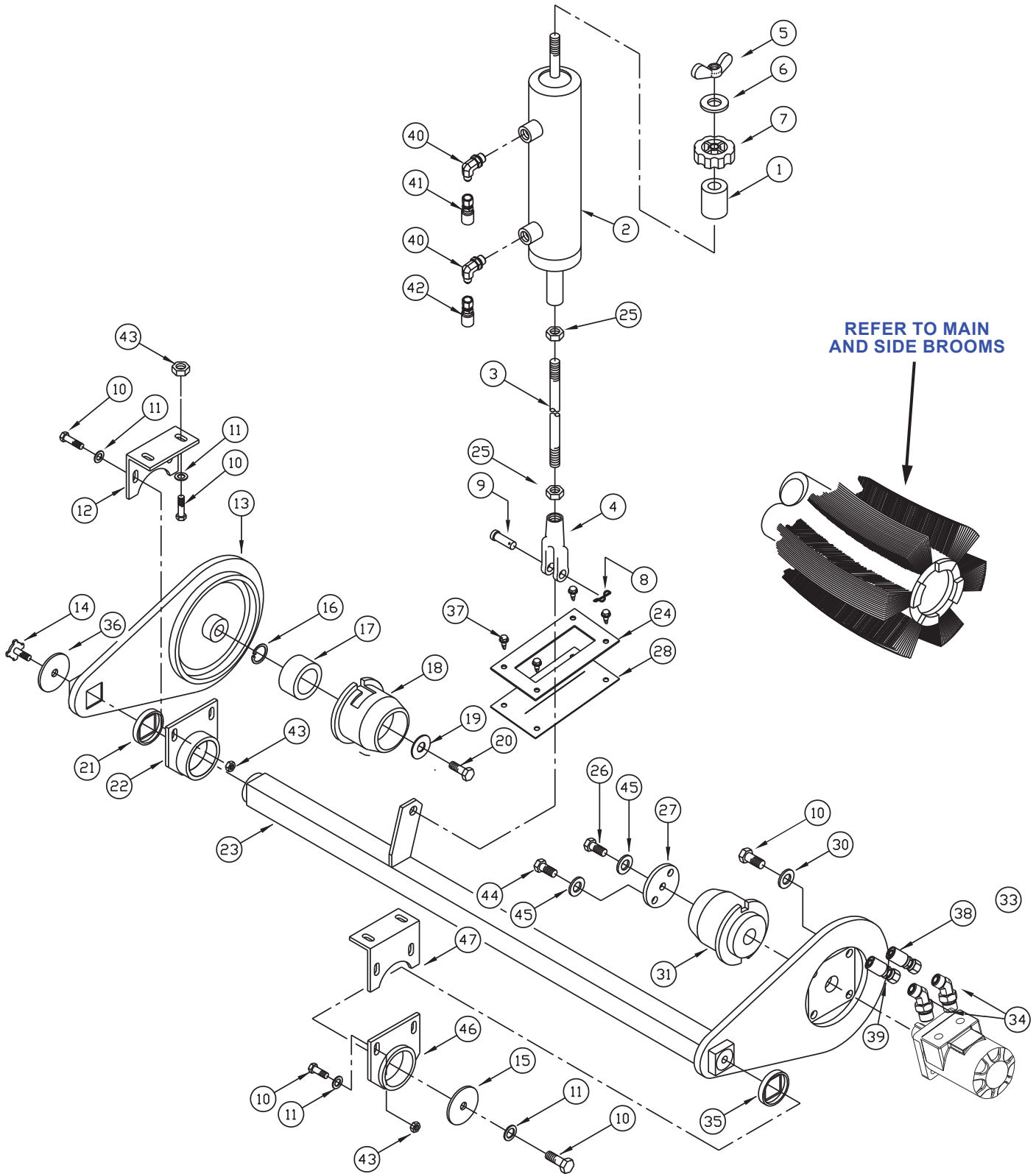
LIFT ARM PART 2			
ITEM	PART NO.	QTY	DESCRIPTION
1	3311206P	1	WELD—ROTATION PLATE RH
2	3311244	2	PLATE—HOPPER DOUBLER
3	3400030	4	BOLT—3/8-16 X 1.0 LONG
4	3400087	4	WASHER—3/8 FLAT
5	3400392	6	NUT 3/8-16 FLANGE LOCK
6	3400444	2	SCREW—FLAT HD 3/8-16 X 1.0
7	3301665	3	GROMMET—Z2056
8	3316890	1	CYLINDER-HYD, ROTATION SINGLE SW/A
9	3400092	2	WASHER—3/8 FENDER
10	675507	4	FTG-STR THD ELBOW -4 ORFS TO -4 SAE
11	675483	1	HOSE HOP D (90) TO HOP ROT ROD (STR)
12	675484	1	HOSE HOP C (90) TO HOP ROT BASE (STR)
13	3311213	1	PIN—ROTATION PLATE CYLINDER ZP
14	3400219	1	BOLT 5/16-18 X .50 ZP
15	3311458	4	BEARING—FIBERGLIDE LTD-2442
16	3400102	1	WASHER—LOCK 5/16 SPLIT ZP
17	3307607	1	PIN—CYL RETAINING
18	3301998	2	RETAINING RING
19	3311330	4	RETAINING RING 5100-150
20	3400121	5	PIN-COTTER 5/32 X 1.50 ZP
21	3400439	2	PIN—CLEVIS 3/4 X 2.00
22	3311012	4	WASHER—HI-DUMP SPACER SEC. ARM
23	661015	2	ASSY-SECONDARY LIFT ARM, 6X
24	3400054	2	SCREW— SET 1/4-20 X .25 LONG ZP
25	3319089	1	ASSY- BLOCK CYL (INCLUDES ITEMS 26 & 27)
26	3300229	1	ASSEMBLY—BLOCK CYLINDER PLTD
27	3300552	1	BEARING—1.0ID X 1.50LG
28	3311722	1	ASSY- LIFT ARM CYLMNT (INCLUDES ITEM 29 & 30)
29	3311200P	1	ASSEMBLY—LIFT ARM CYLINDER MOUNT
30	3311457	2	BEARING—FIBERGLIDE CJS-2428

MAIN BROOM ASSEMBLY



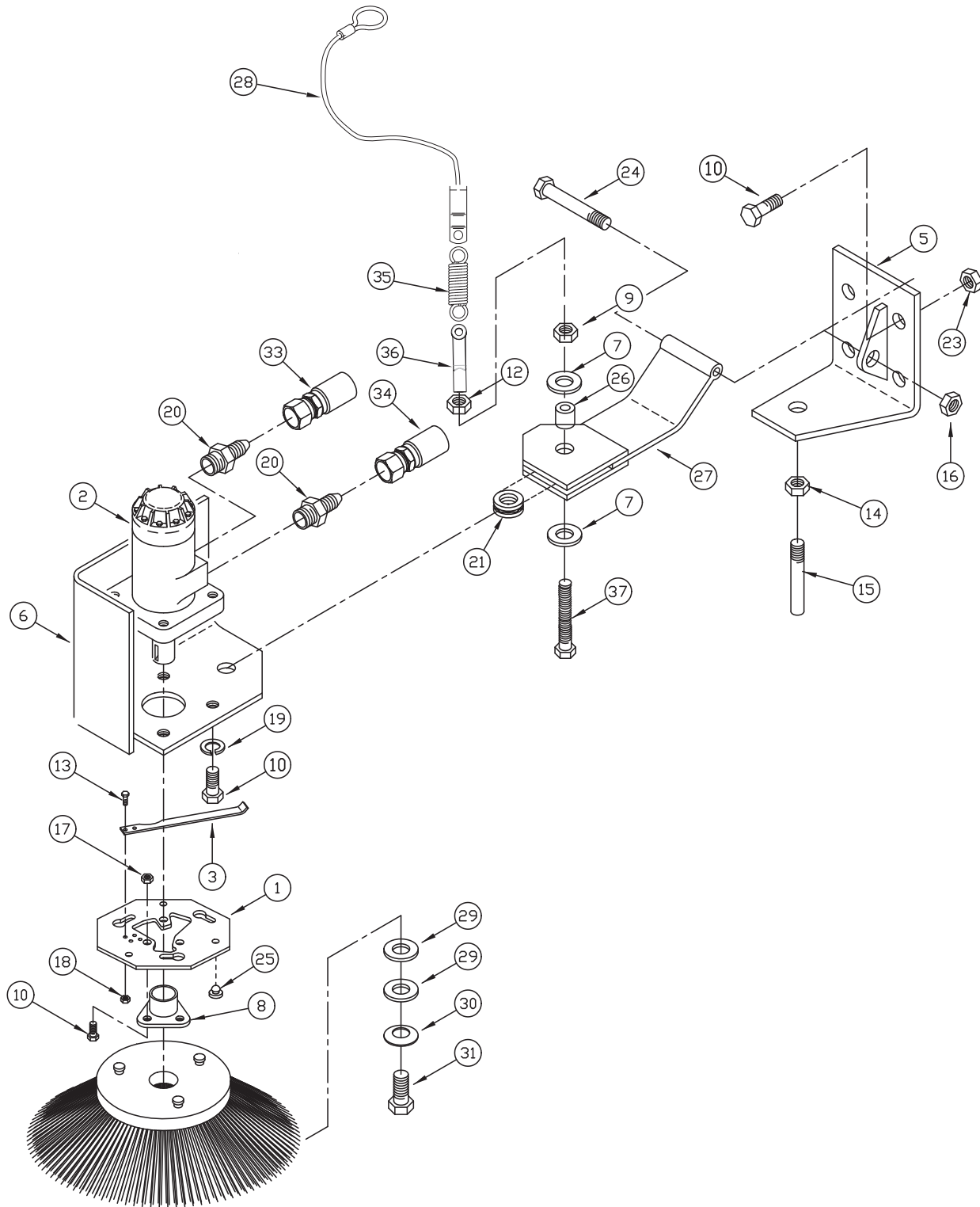
MAIN BROOM ASSEMBLY			
ITEM	PART NO.	QTY	DESCRIPTION
1	3307181	1	SPACER-MAIN BROOM SW/A PLTD
2	3338129	1	CYLINDER—MAIN BROOM LIFT SW6XV
3	3338192	1	ROD—MAIN BROOM LIFT SW/6XV
4	3301447	1	CLEVIS WITH PIN AND COTTER (INCLUDES #8 AND #9)
5	3400084	1	NUT—WING 1/2-13 ZP
6	3400091	1	WASHER—FENDER 1/2 ZP
7	3300352	1	KNOB—MB LIFT HDJ
8	3400125	1	PIN—COTTER 3/8 RUE RING
9	3400117	1	PIN—CLEVIS 3/8 X 1-1/8
10	3400030	9	SCREW—HEX 3/8-16 X 1.00
11	3400385	5	WASHER—CONICAL SPRING 3/8
12	3318675	1	ANGLE—MAIN BROOM TUBE BRG MNT
13	3311147P	1	ASSEMBLY—MAIN BROOM IDLER ARM PNTD
14	3318429	1	KNOB—MB IDLER RETAINER
15	3311013	1	WASHER—MAIN BROOM RETAINER PLTD
16	711705	1	RET RING-INT 2.125
17	3309618	1	BEARING—STEERING ARM 205PP
18	3301051	1	HUB—BROOM IDLER PNTD
19	3400091	1	WASHER—FENDER 1/2 ZP
20	3400024	1	SCR-HEX, 1/2-13X0.75 ZP
21	3311022	1	BUSHING—MAIN BROOM
22	3311161	1	WELDMENT—MAIN BROOM TUBE BRG MNT R / H
23	3338043P	1	WELD—PIVOT TUBE
24	3311425	1	RETAINER-MB LEVER SEAL PLTD
25	3400075	2	NUT-HEX JAM 3/8-24 ZP
26	3400049	3	SCR—SOC 1/4-20 X 0.75 ZP NYLOCK
27	3301285	1	RETAINER—DR HUB PLTD
28	3311424	1	SEAL-MAIN BROOM LEVER
30	3400101	4	WASHER—LOCK 3/8 SPLIT ZP
31	3301050-CG	1	HUB—MAIN BROOM DRIVE PNTD

MAIN BROOM ASSEMBLY (CONTINUED)



MAIN BROOM ASSEMBLY			
ITEM	PART NO.	QTY	DESCRIPTION
33	3316894	1	MOTOR—HYDRAULIC MAIN BROOM 621C THRU 77
34	3400690	2	FTG-8-10V5OLO-S 45ST THD ELL SL
35	3311022	1	BUSHING—MAIN BROOM PLASTIC
36	3307818	1	SPACER-SHOCK DISK PLTD
37	3311374	4	SCREW-HEX,1/4-14X3/4 SELF TAP
38	675477	1	HOSE BRM MTR B (STR) TO M3 (STR)
39	675476	1	HOSE BRM MTR A (STR) TO M4 (STR)
40	675507	2	FTG-STR THD ELBOW -4 ORFS TO -4 SAE
41	675478	1	HOSE C3 (STR) TO BASE BRM LIFT (STR)
42	675479	1	HOSE C4 (90) TO ROD BRM LIFT (STR)
43	3400392	4	NUT-FLANGE LOCK 3/8-16
44	3400049	3	SCR—SOC 1/4-20 X 0.75 NYLOCK
45	3400103	3	WASHER—LOCK 1/4 SPLIT ZP
46	3318674	1	BEARING—MOUNT L / H
47	3318634	1	ANGLE—L / H

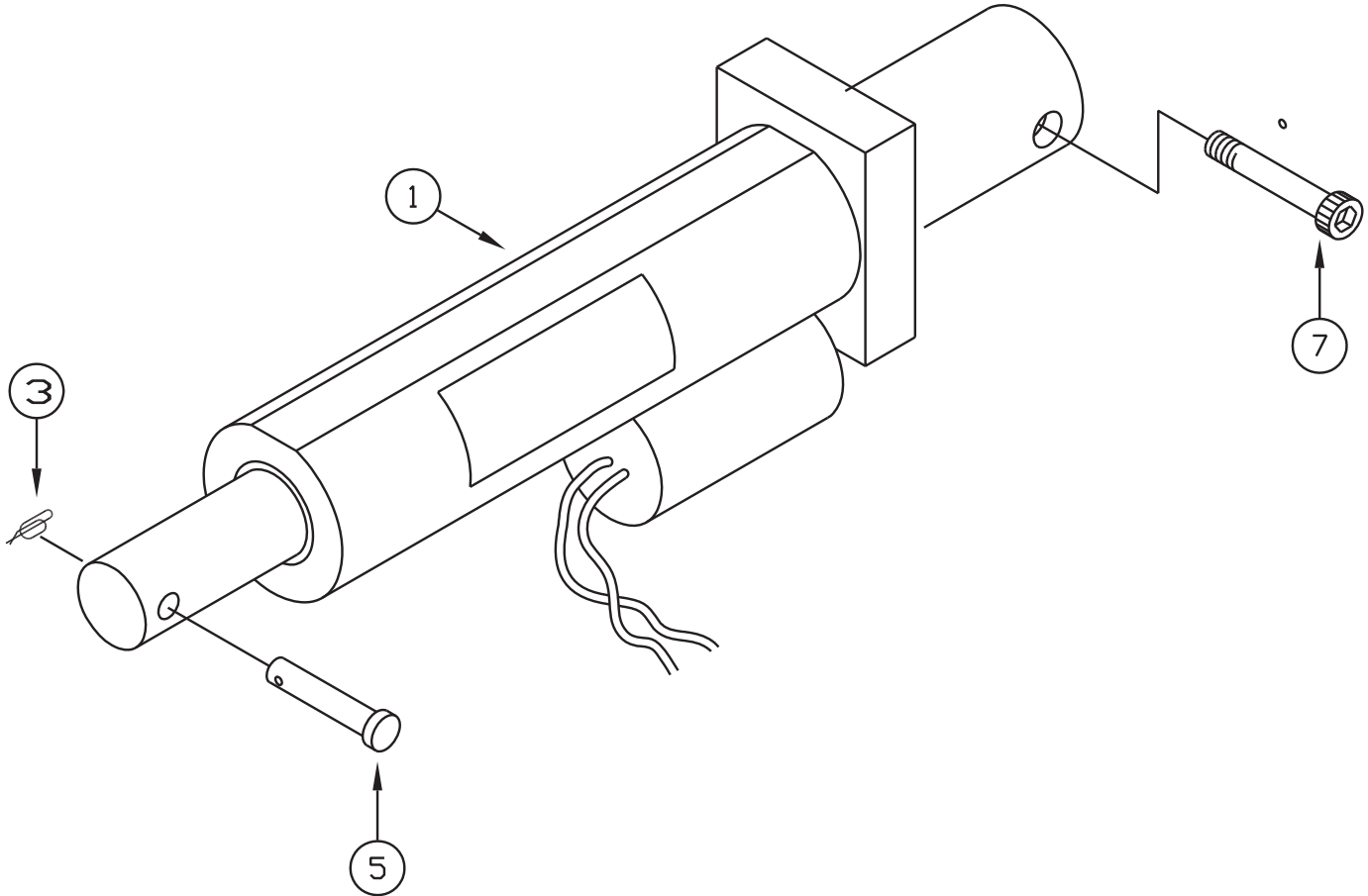
SIDE BROOM ASSEMBLY



**REFER TO MAIN
AND SIDE BROOMS**

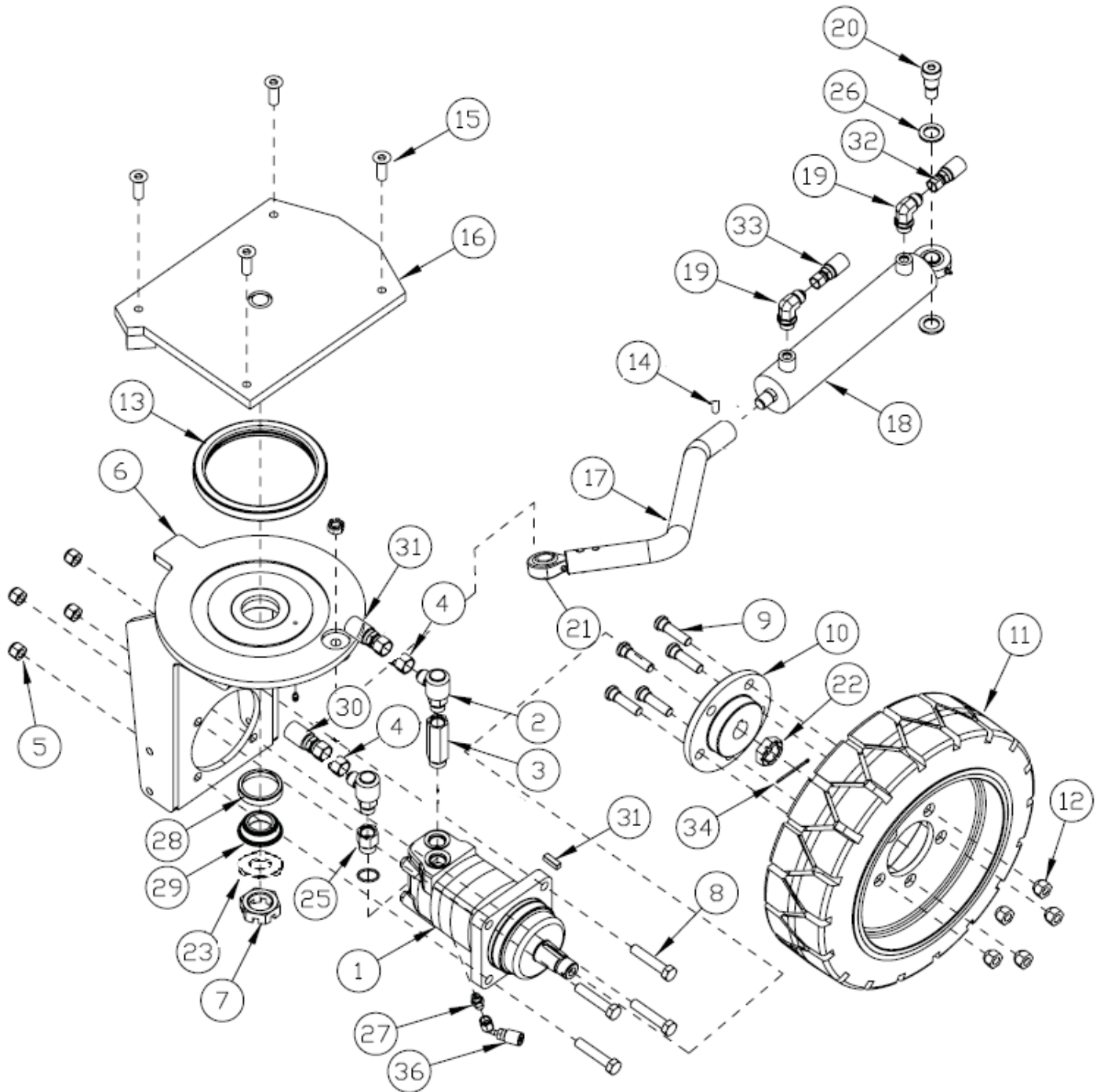
SIDE BROOM ASSEMBLY			
ITEM	PART NO.	QTY	DESCRIPTION
1	3301262	1	PLATE—GIMBAL SCHD
2	3316897	1	MOTOR—HYD CURB BRM
3	3339695	1	BAR-CURB BROOM RETAINER ZP RH
4	3302082	1	KEY—HEX HYD MOTOR
5	3313202	1	ASSEMBLY—MOUNT CURB BROOM
6	3313207	1	MOUNT—CURB BROOM MOTOR
7	711855	2	WASHER-FENDER 3/8 X 1.12 X .10 ZP HARD
8	3313212	1	WELD—GIMBLE PLATE 62/72 GAS/DS
9	3400420	1	NUT-HEX 5/16-24 ES
10	3400030	3	SCREW—HEX 3/8-16 x 1.0
11	3400032	4	SCREW—HEX 3/8-16 x .75
12	3400069	1	NUT—HEX 5/16-24 ZP
13	3400042	2	SCREW—HEX 1/4-20 x .75
14	3400064	1	NUT-HEX 1/2-20 ZP
15	3400404	1	SCREW-SET,1/2-20X3.00 ZP
16	3400078	2	NUT—ES 1/2-13
17	3400079	3	NUT—HEX ES 3/8-16
18	3400081	2	NUT—HEX ES 1/4-20
19	3400101	4	WASHER—LOCK 3/8
20	3400151	1	FTG—STR 7/8-14 TO #8
21	3400178	2	BRG—THRUST .531ID x 1.00OD
22	3400030	4	SCREW—HEX 3/8-16 x 1.0
23	3400079	4	NUT—HEX ES 3/8-16
24	3400018	1	SCREW—HEX 1/2-13 x 4.00 ZP
25	3300526	3	BUMPER-RUBBER 1/4 ID X 1/8 THK
26	3307241	1	SPACER—HAND BRAKE PLTD SW/A
27	3313203	1	ASSEMBLY—ARM SIDE BROOM
28	3318885	1	CABLE—CURB BRM LIFT 62/72
29	3400278	2	WASHER—FENDER 3/8
30	3400383	1	WASHER—CONICAL SPRING 1/4
31	3400049	1	SCREW—SOC,1/4-20X0.75 ZP NYLOCK
32	3402009	1	FTG—CHECK VALVE
33	3338160	1	HOSE-.50 AR 70" ST#8 ST#8
34	3338161	1	HOSE-.50 AR 67" ST#10 90 #8(S)
35	661126	1	EXTENSION SPRING, CB - 6X
36	3307642	1	CLEVIS-5/16 PLTD SW/A
37	713533	1	BOLT, HH, 5/16-24 X 4', FULL THRD GR 8
-	3400184	1	PIN-CLEVIS (NOT SHOWN-CONNECTS #28 & #35)
-	3400118	1	PIN-CLEVIS (NOT SHOWN-CONNECTS #35 & #36)

SIDE BROOM ACTUATOR



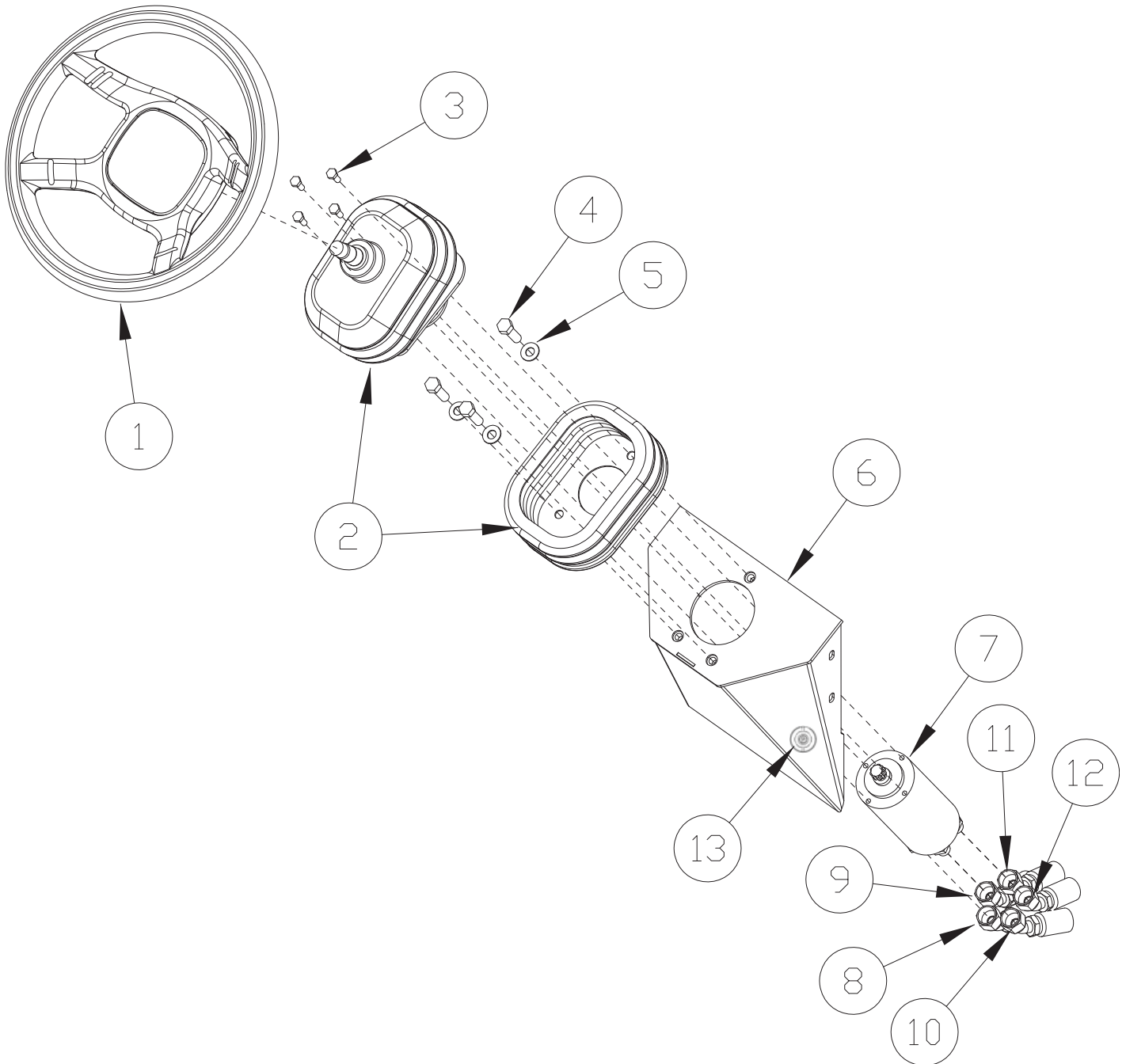
SIDE BROOM ACTUATOR			
ITEM	PART NO.	QTY	DESCRIPTION
-	3318883	1	ASSEMBLY, LINEAR ACTUATOR (REPLACEMENT)
1	748503-1	1	ACTUATOR—CURB BRM 12V 4"STROKE
3	3400125	2	RING-RUE 3/8
5	3400185	2	PIN-CLEVIS 5/16X1-1/4 ZP
7	3400726	1	BLT-SHOULDER 3/8 X 1.25 LG X 5/16-18 BLK

STEERING ASSEMBLY



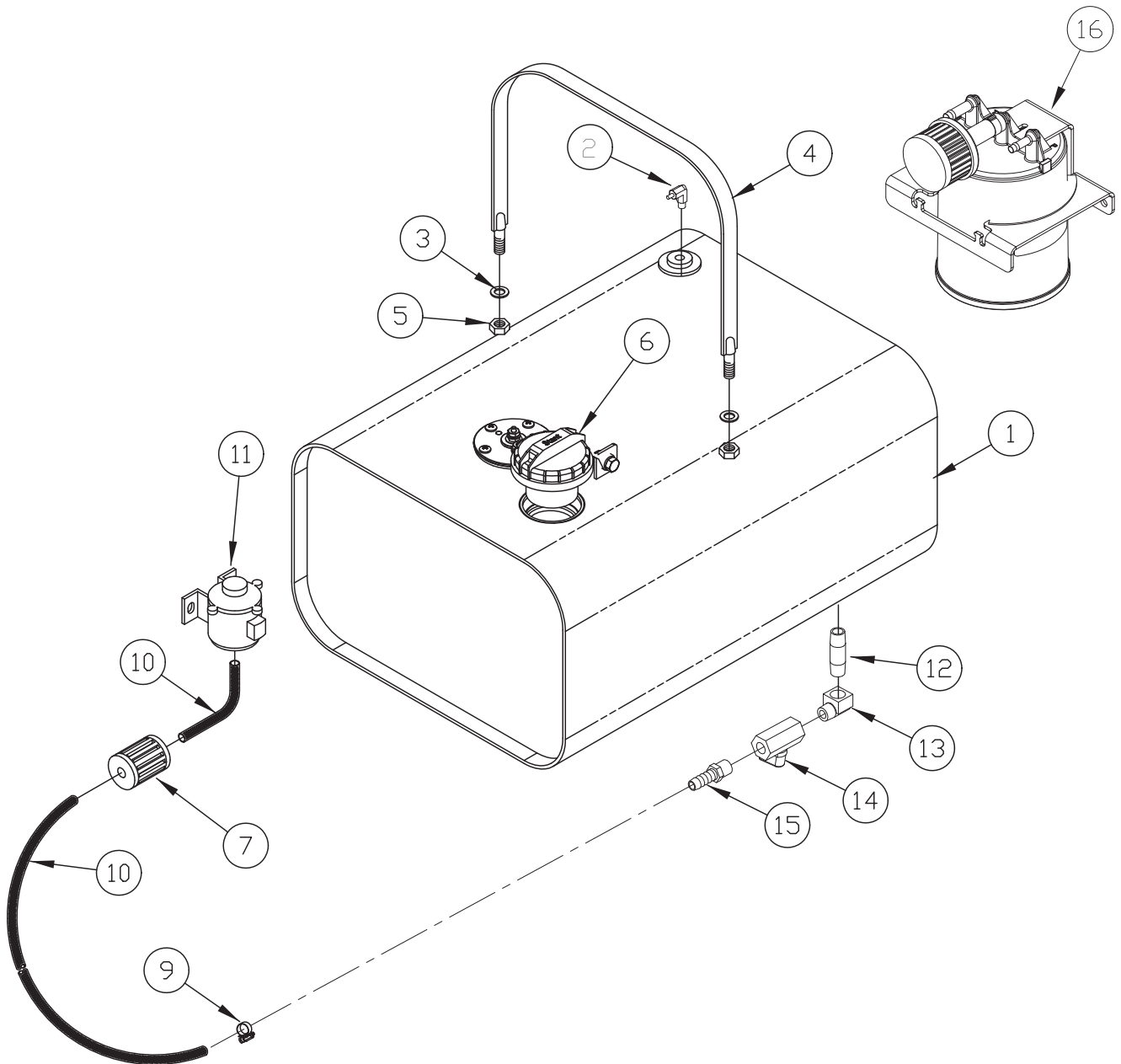
STEERING ASSEMBLY			
ITEM	PART NO.	QTY	DESCRIPTION
1	3301534	1	MOTOR—HYD 2000 SERIES PNTD
2	675563	2	FTG—SWIVEL 3/4-16 TO #8
3	675569	1	FTG—SPECIAL WHEEL MOTOR
4	675564	2	FTG-STR THD CONNECTOR
5	711376	4	NUT-NYLOC 1/2-13 ZP
6	3338080P	1	WELD—STEERING FORK
7	620066	1	NUT-CASTLE 1 1/4-12 JAM ZP
8	3400019	4	SCR—HEX 1/2-13 X 2.50 ZP
9	3300415	5	STUD—WHEEL HUB
10	3338076	1	HUB—REAR WHEEL PNTD MS
11	3318690	1	WHEEL—5 X 10.5 X 16 MOLDED
12	3300411	5	NUT—WHEEL LUG
13	3300472	1	BRG—THRUST 5.812ID X 7.00OD
14	3400826	1	SCR-SET 1/4-28 X .250 BLK OX CP
15	3401022	4	SCREW-FLT, 1/2-13 X 1.00 SOC
16	3330642P	1	FORK MNT 6X PLT
17	661018	1	WD-STEERING LINK ASSY - 6X
18	3318452	1	CYLINDER—STEERING
19	675568	2	FTG-STR THD ELBOW
20	3400214	1	SCR-HH 3/4-10 X 2.75 ZP GR 5 FULL THD TA
21	3400012	2	FTG—GREASE
22	3400223	1	NUT—HEX SLOTTED 11/16-18 ZP
23	3337628	1	WASHER FLAT 1.28 ID X 2.00 OD ZP
25	3400166	1	FITTING ADAPTER 7/8-14 EXT TO 3/4
26	712318	2	WASHER-FLAT 3/4 X 1.12 X .12 ZP
27	675507	1	FTG-STR THD ELBOW -4 ORFS TO -4 SAE
28	3300470	1	BEARING-TAPERED ROL CUP
29	3300471	1	BEARING-TAPERED ROLCONE W/SEAL
30	675489	2	HOSE PROP PUMP A TO PROP MTR A
31	675490	1	HOSE PROP PUMP B TO PROP MTR B
32	675482	1	HOSE TOP BLK (90) TO BASE STR (STR)
33	675481	1	HOSE BTM BLK (90) TO ROD STR (STR)
34	3400122	2	PIN-COTTER 1/8 X 2.00 ZP
36	675488	1	HOSE C7 (90) TO PROP DRN (STR)

TILT STEERING ASSEMBLY



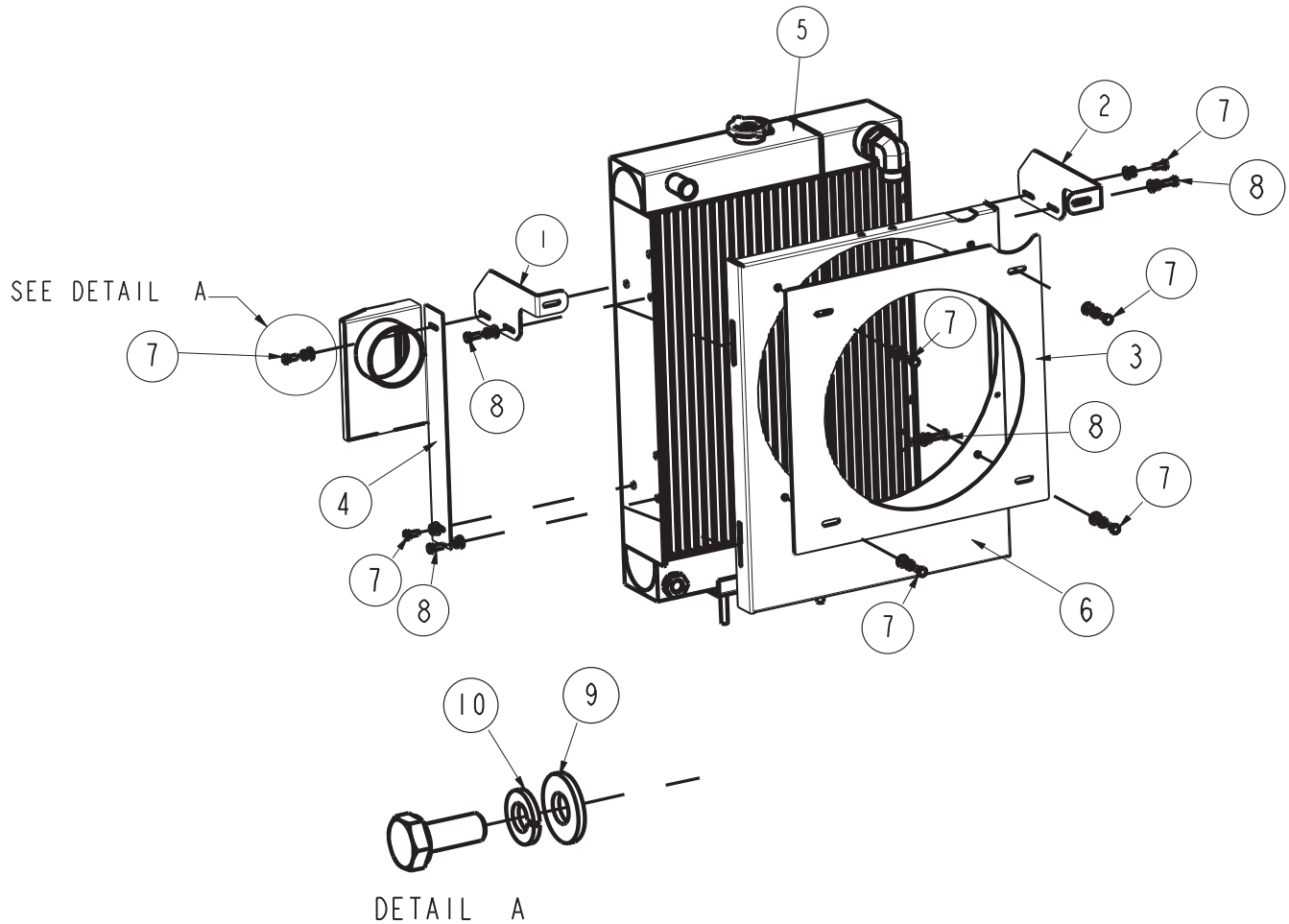
TILT STEERING ASSEMBLY			
ITEM	PART NO.	QTY	DESCRIPTION
1	3338215	1	WHEEL-STEERING W/COVER SW/6XV
2	3343165	1	COLUMN-STEERING TILT
3	3402054	4	SCR-SHCS M6-1.0 X 12 ZP
4	713043	3	SCR-HH 3/8-16 X 1.25 ZP GR 5
5	3400385	3	WASHER-CONICAL SPRING 3/8
6	3338235P	1	WELD - TILT STEERING CONSOLE
7	3330598	1	STEERING UNIT-OSPM 100PB
8	675473	1	HOSE STR L (45) TO TOP BLK (STR)
9	675474	1	HOSE STR R (45) TO BTM BLK (STR)
10	675475	1	HOSE STR P (45) TO ST (STR)
11	675486	1	HOSE HOP OUT (STR) TO STR T (45)
12	675487	1	HOSE HOP IN (STR) TO STR PB (45)
13	747040	1	SWITCH-IGNITION R POSITION

FUEL TANK - GAS AND DIESEL



FUEL TANK - GAS AND DIESEL			
ITEM	PART NO.	QTY	DESCRIPTION
1	3337858	1	FUEL TANK
2	3307778	1	FTG-ELBOW 90 1/4 MPT X 1/8 HB BRASS
3	3400087	2	WASHER-FLAT 3/8 STANDARD ZP
4	3318401	1	STRAP—FUEL TANK
5	711380	2	NUT-NYLOC 3/8-16 ZP
6	3343413	1	CAP FUEL CAP
7	3309249	1	FILTER—FUEL (DSL)
	3306606		FILTER—FUEL (GAS)
9	3302338		CLAMP-HOSE .22 TO .62
10	3500104	FT.	HOSE-NEOPRENE 5/16 ID
11	3335871	1	PUMP—FUEL (DSL)
	3337634		PUMP—FUEL (GAS)
12	620663	1	FTG-NIPPLE 1/4 NPT X 1/4 NPT X 2 IN
13	620238	1	FITTING, 1/4 NPT STREET ELBOW, BRASS
14	3400499	1	VALVE-MINATURE 1/4 FPT BALL
15	620052	1	FTG-ADAPTER 1/4 NPT X 5/16 HB
16	3337062	1	ASSY - 6X GAS CARBON CANISTER (FOR GAS ONLY)

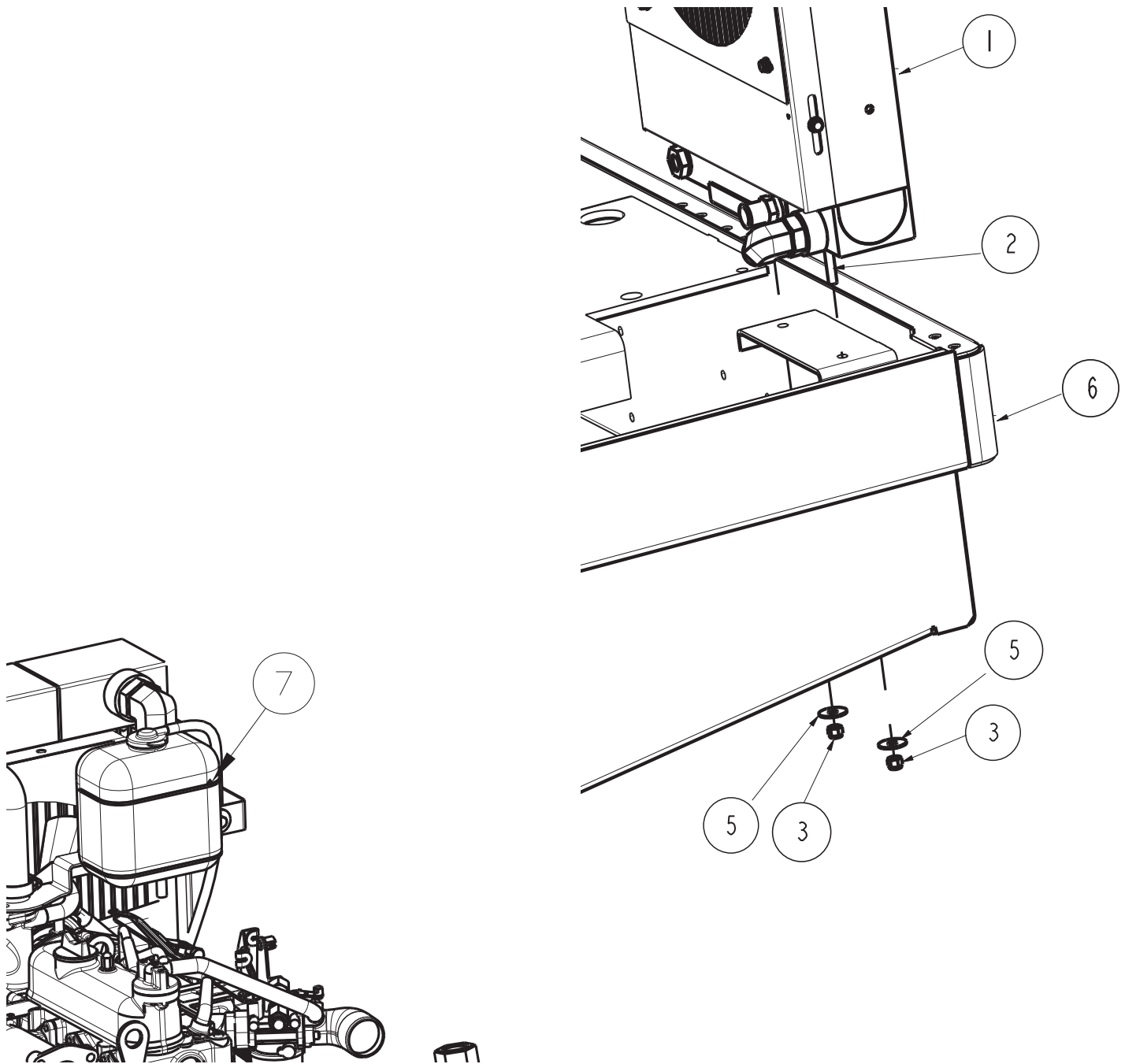
RADIATOR COMPONENTS - 661141/DSL - 661187/LP_GAS - PAGE 1



BILL OF MATERIAL

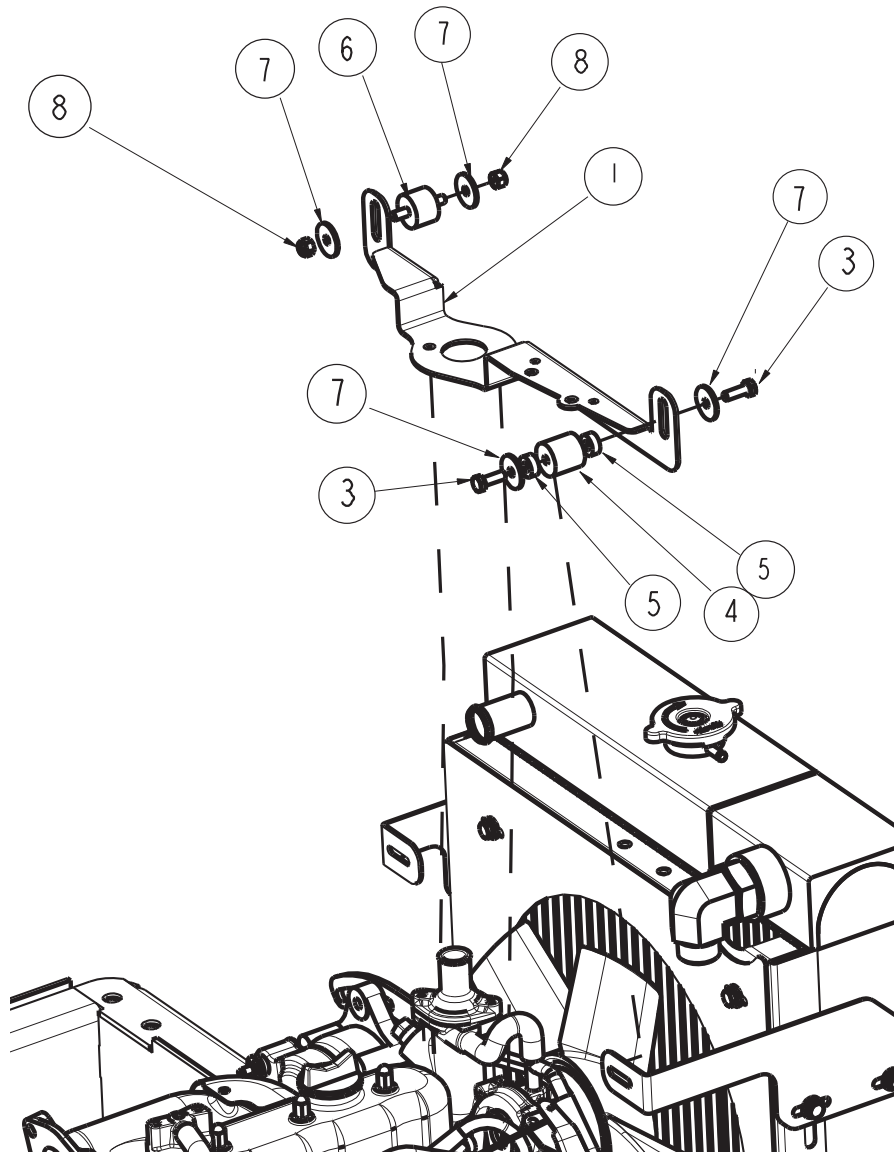
ITEM	PART NO.	QTY	DESCRIPTION
1	661131	1	RAD BRKT, INNER - 6X
2	661132	1	RAD BRKT, OUTER - 6X
3	661134	1	RAD SHROUD FILLER PLATE - 6X
4	661140	1	WD-DIVERTER, IMPELLER EXHAUST
5	661149	1	ASSY, RADIATOR W/FTGS - 6X
6	690150	1	ASSY, FAN SHROUD, DSL/LP/GAS
7	713001	7	SCR-HH 1/4-20 X .62 PLAIN GR 5
8	713002	4	SCR-HH 1/4-20 X .75 ZP 5
9	3400089	11	WASHER-FLAT 1/4 ZP
10	3400103	11	WASHER-LOCK 1/4 SPLIT ZP

RADIATOR COMPONENTS - 661141/DSL - 661187/LP_GAS - PAGE 2



BILL OF MATERIAL			
ITEM	PART NO.	QTY	DESCRIPTION
1	661149	1	ASSY, RADIATOR W/FTGS - 6X
2	711254-1	2	BLT-CARR 3/8-16 X 2.50 ZP GR 5
3	711380	2	NUT-NYLOC 3/8-16 ZP
5	3400278	2	WASHER-FENDER 3/8 X 1.25 ZP
6	3338082M	1	MAIN FRAME 6X, SDG
7	3344101	1	RESERVOIR 5.5" X 3.5" X 5.5" KBA

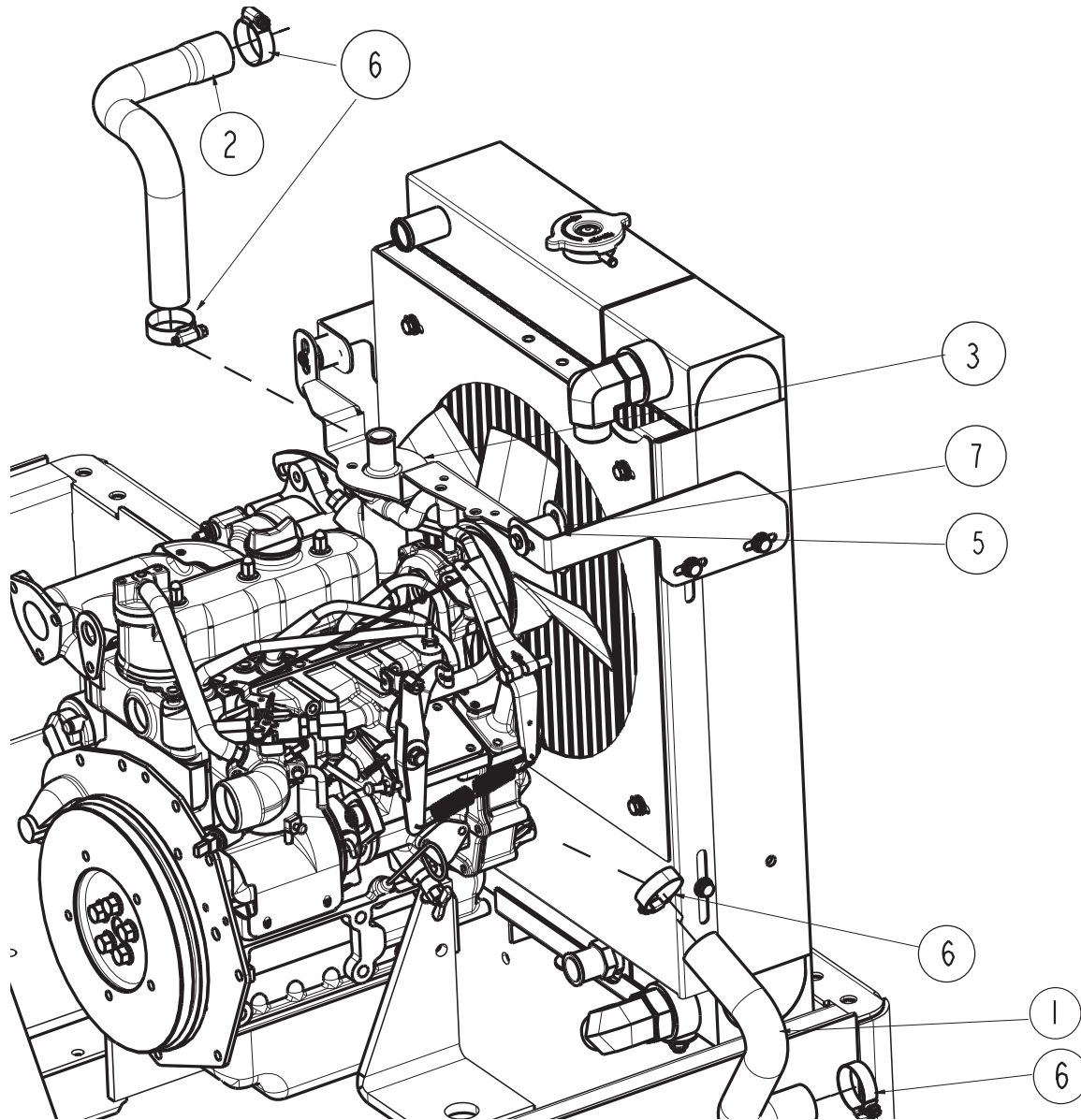
RADIATOR COMPONENTS - 661141/DSL - 661187/LP_GAS - PAGE 3



BILL OF MATERIAL

ITEM	PART NO.	QTY	DESCRIPTION
1	661186	1	BRKT, RADIATOR, UPPER, LP/GAS
	661133		BRKT, RADIATOR, UPPER, DSL
3	713002	6	SCR-HH 1/4-20 X .75 ZP 5
4	713595	1	ISOLATOR, VIBRATION MNT, 1/4-20 FEM THR
5	3335274	2	SPACER-.28 ID X .625 OD X .26 LG
6	3344112	1	ISO-CYL, 1 DIA X 3/4 X 1/4-20,50LBS
7	3400090	4	WASHER-FENDER 1/4 X 1.00 ZP
8	3401021	2	NUT-JAM 1/4-20 ZP NYLOC

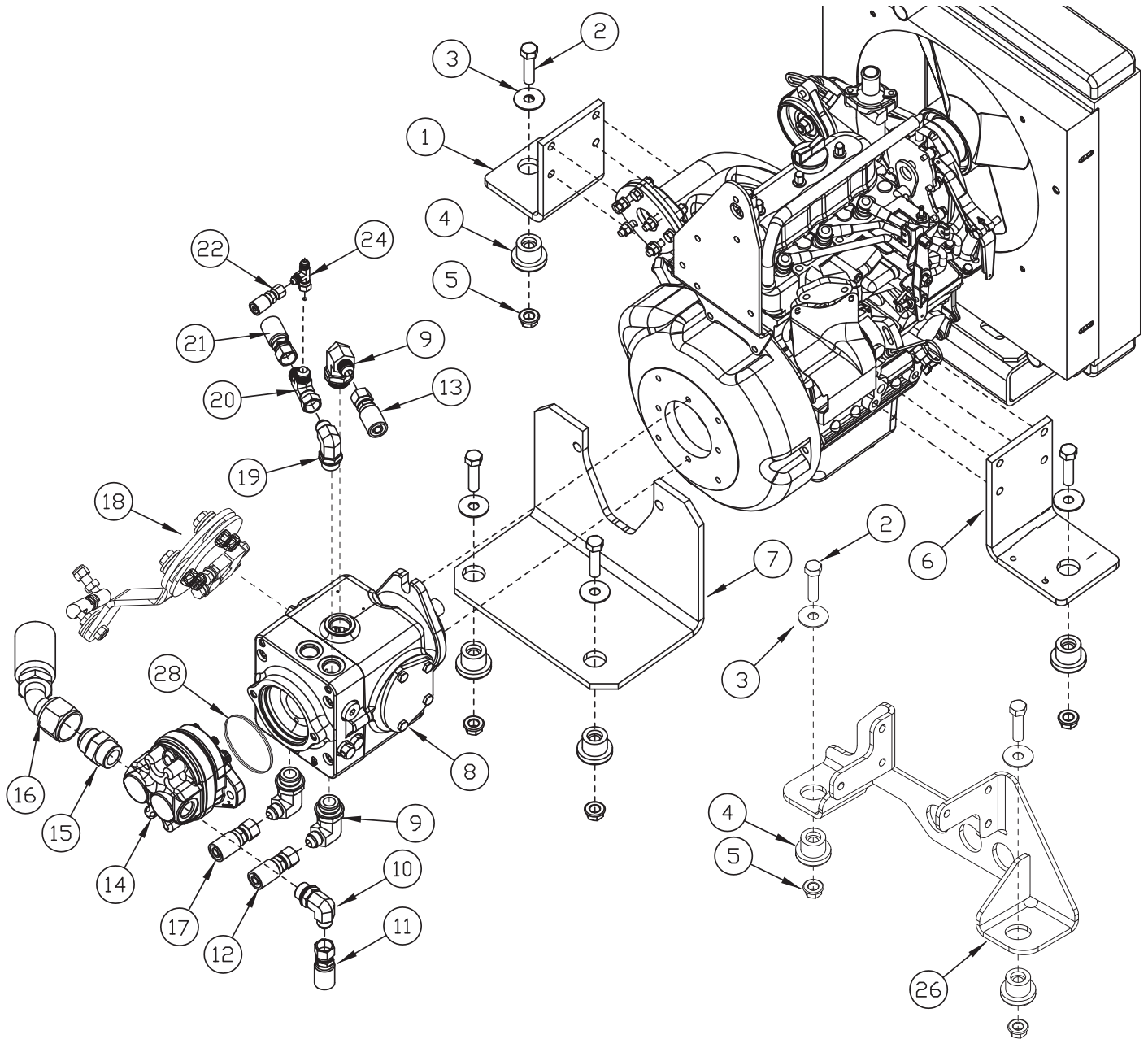
RADIATOR COMPONENTS - 661141/DSL - 661187/LP_GAS - PAGE 4



BILL OF MATERIAL			
ITEM	PART NO.	QTY	DESCRIPTION
1	661135	1	RAD HOSE, LOWER, 6X
2	661185	1	HOSE, UPPER RADIATOR, LP/GAS
	3332643		HOSE, UPPER RADIATOR, DSL
3	661186	1	BRKT, RADIATOR, UPPER, LP/GAS
	661133		BRKT, RADIATOR, UPPER, DSL
5	713595	1	ISOLATOR, VIBRATION MNT, 1/4-20 FEM THR
6	3302193	4	CLAMP-HOSE 1.25 NOM
7	3335274	2	SPACER-.28 ID X .625 OD X .26 LG
8	3338082M	1	MAIN FRAME 6X, SDG

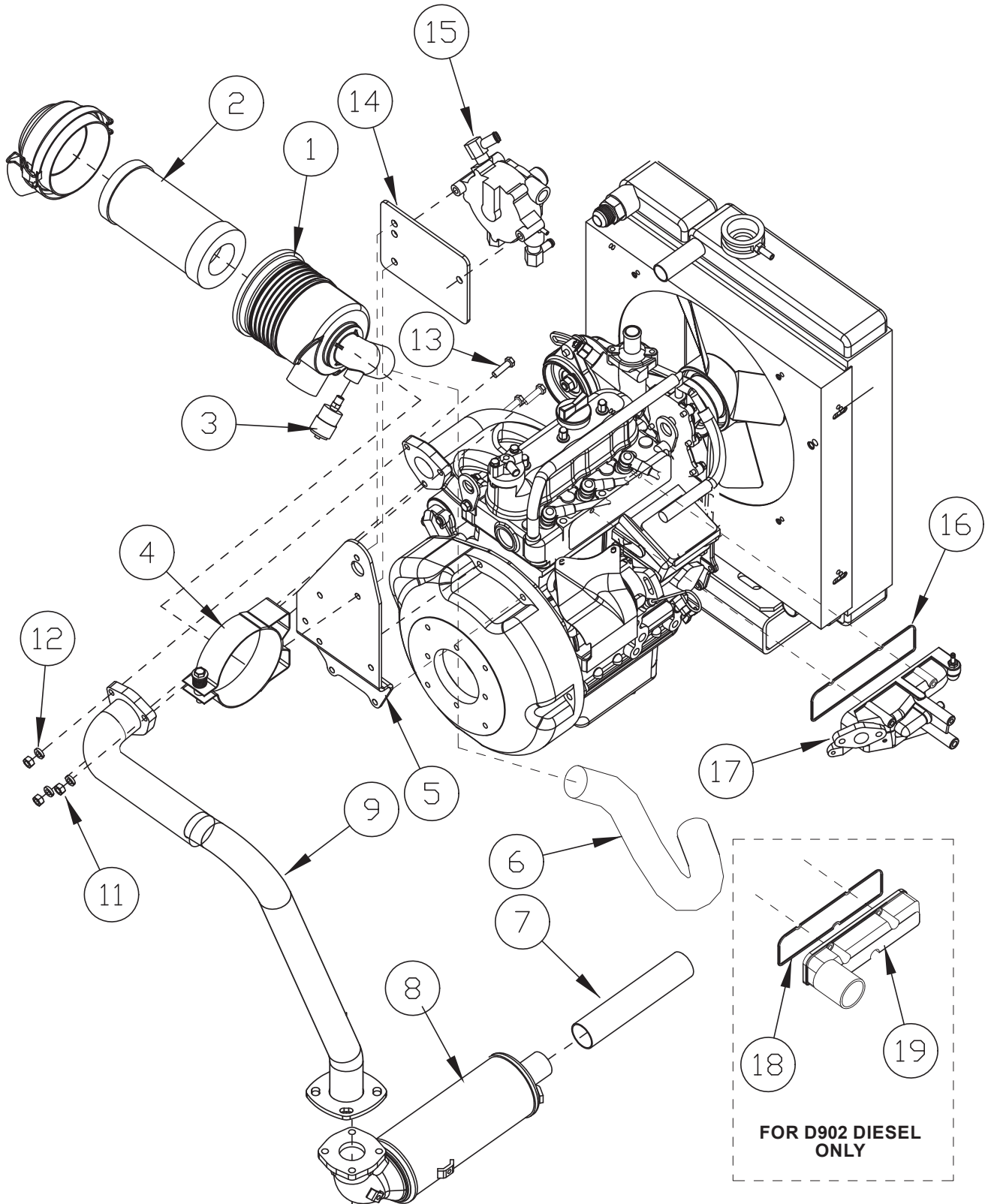
ENGINE PARTS BREAKDOWN

ENGINE KUBOTA D902 DIESEL & DF752 LP/GAS - MOUNTING AND PUMPS



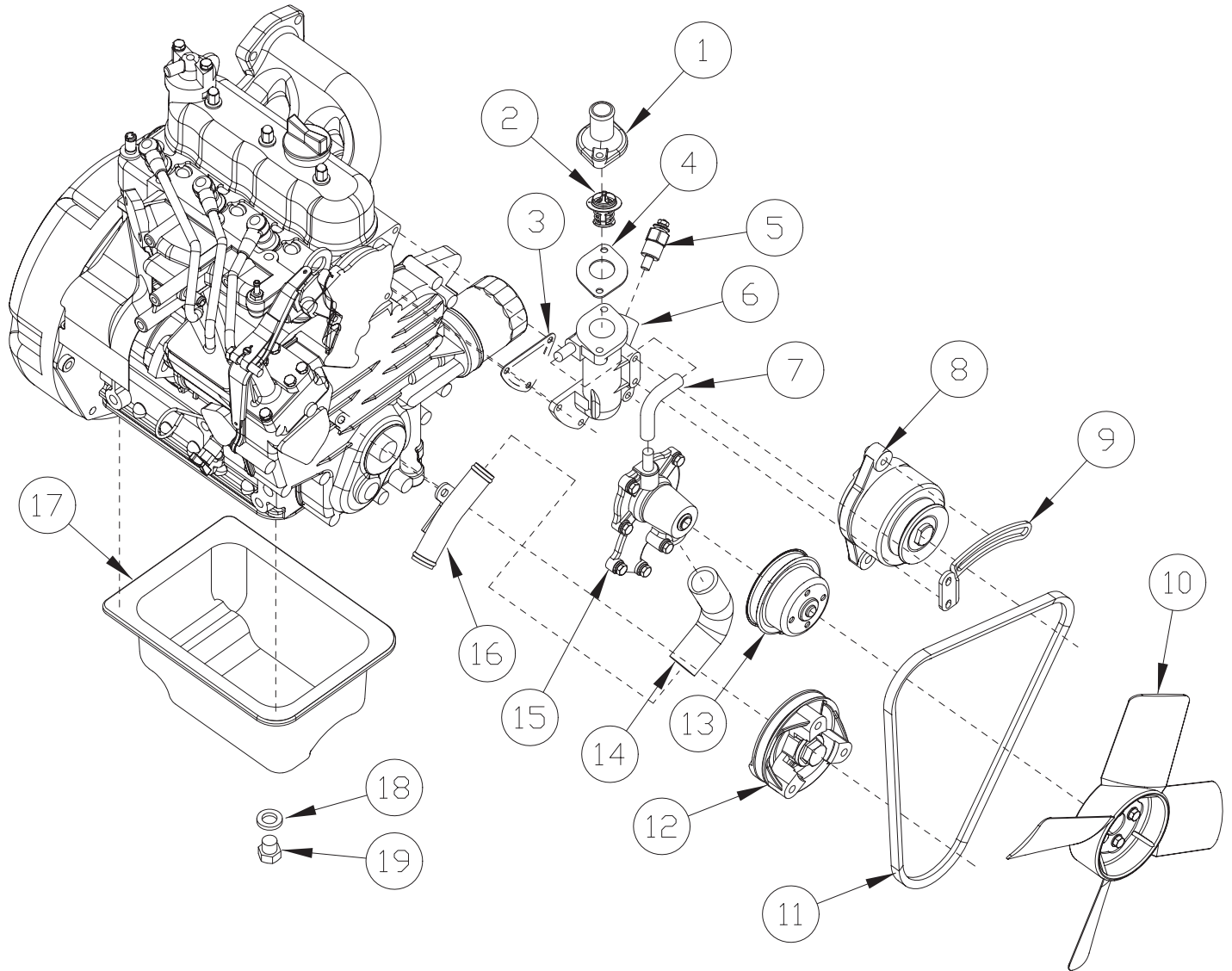
ENGINE KUBOTA D902 DIESEL & DF752 LP/GAS - MOUNTING AND PUMPS			
ITEM	PART NO.	QTY	DESCRIPTION
1	3335672	1	MNT-RIGHT REAR (DIESEL KUBOTA D902 ONLY)
2	3400020	4	SCREW-HEX,1/2-13X2.00 ZP
3	3400091	4	WASHER-FENDER 1/2 ZP
4	3300464	4	ISOLATOR-RUBBER, 1.24 DIA X 1.25 LG
5	3400395	4	NUT-FLANGE LOCK 1/2-13
6	3335673	1	MNT-LEFT REAR (DIESEL KUBOTA D902 ONLY)
7	3336022	1	MNT-FRONT (DIESEL KUBOTA D902 ONLY)
	3338242	1	MNT-ENGINE (LP/GAS KUBOTA DF752 ONLY)
8	3336023	1	PUMP-MAIN HYDRAULIC (6X)
9	675500	3	FTG-STR ELBOW -10 ORFS TO -12 SAE
10	675528	2	FTG-STR THD ELBOW -8 ORFS TO -10 SAE
11	675466	1	HOSE HYD PUMP (45) TO P2 (STR)
12	675489	2	HOSE PROP PUMP A TO PROP MTR A
13	675469	1	HOSE PROP PUMP (STR) TO C8 (90)
14	3338093	1	GEAR PUMP-SW/6XV
15	675505	1	FTG-STR THD CONNECTR -16 ORFS TO -16 SAE
16	675460	1	HOSE RES (STR) TO HYD (45) PUMP
17	675490	1	HOSE PROP PUMP B TO PROP MTR B
18	661179	1	DIRECTIONAL ARM 6X, ASSEMBLY
19	675573	1	FITTING
20	675574	1	FTG-TEE SWIVEL 1/2 TUBE
21	675468	1	HOSE PROP PUMP B TO PROP MTR B
22	675470	1	HOSE PROP PUMP B TO PROP MTR B
24	3306819	1	FTG-TEE SWIVEL RUN #4 JIC ARMA
26	661080	1	HOSE PROP PUMP B TO PROP MTR B
28	3336696	1	O-RING SEAL, NITRILE 3.25 ID

ENGINE KUBOTA D902 DIESEL & DF752 LP/GAS - AIR CLEANER & EXHAUST



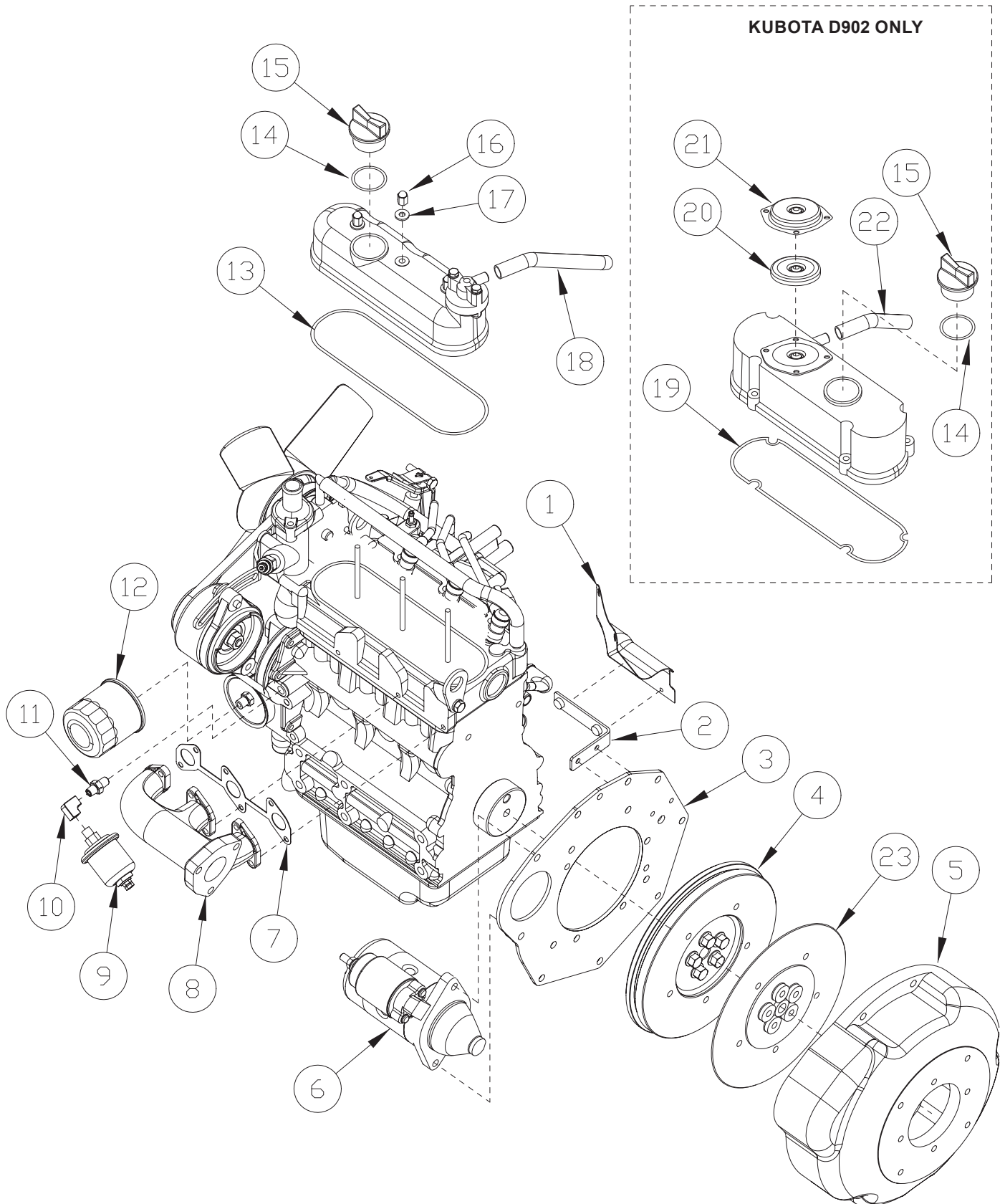
ENGINE KUBOTA D902 DIESEL & DF752 LP/GAS - AIR CLEANER & EXHAUST			
ITEM	PART NO.	QTY	DESCRIPTION
1	3333737	1	AIR CLEANER ASSY (DIESEL KUBOTA D902 ONLY)
	3331005	1	AIR CLEANER ASSY (LP/GAS KUBOTA DF752 ONLY)
2	3322572	1	ELEMENT PRIMARY (DIESEL KUBOTA D902 ONLY)
	3330677	1	ELEMENT PRIMARY (LP/GAS KUBOTA DF752 ONLY)
3	3335864	1	INDICATOR-AIR CLEANER RESTRICT
4	3337798	1	AIR CLEANER BAND KUBOTA DF752-D902
5	3337799	1	AIR CLEANER MOUNT KUBOTA DF752-D902
6	3337806	1	HOSE-AIR (LP/GAS KUBOTA DF752 ONLY)
	3337807	1	HOSE-AIR (DIESEL KUBOTA D902 ONLY)
7	3315317	1	PIPE-EXTENSION SW/62 GAS/DSL
8	3335866	1	MUFFLER KUBOTA DF752-D902
9	3337931	1	PIPE-EXHAUST 6X 902 (DSL)
	3338243	1	WDT-EXHAUST PIPE - 6XV TIER III (LP/GAS)
11	3400070	3	NUT-HEX 5/16-18 ZP
12	3400102	3	WASHER-LOCK 5/16 SPLIT ZP
13	3400034	3	SCREW-HEX,5/16-18X1.25 ZP
14	3337801	1	BRACKET FUEL VAPORIZER (LP KUBOTA DF752 ONLY)
15	3335717	1	VAPORIZER (LP KUBOTA DF752 ONLY)UEL VAPORIZER (LP/GAS KUBOTA DF752 ONLY)
16	3337635	1	GASEKT-INTAKE MANIFOLD KUBOTA DF752 (PRIOR TO ENGINE SN 2S7883)
	3337637	1	GASEKT-INTAKE MANIFOLD KUBOTA DF752 (AFTER TO ENGINE SN 2U0001)
17	3337636	1	INTAKE MANIFOLD KUBOTA DF752 (PRIOR TO ENGINE SN 2S7883)
	3337638	1	INTAKE MANIFOLD KUBOTA DF752 (AFTER TO ENGINE SN 2U0001)
18	3337639	1	GASEKT-INTAKE MANIFOLD KUBOTA D902
19	3337640	1	INTAKE MANIFOLD KUBOTA D902
20	3338715	1	CATALYTIC CONVERTER DF752 (NOT SHOWN)

ENGINE KUBOTA D902 DIESEL & DF752 LP/GAS - ALTERNATOR, WATER PUMP, & FAN



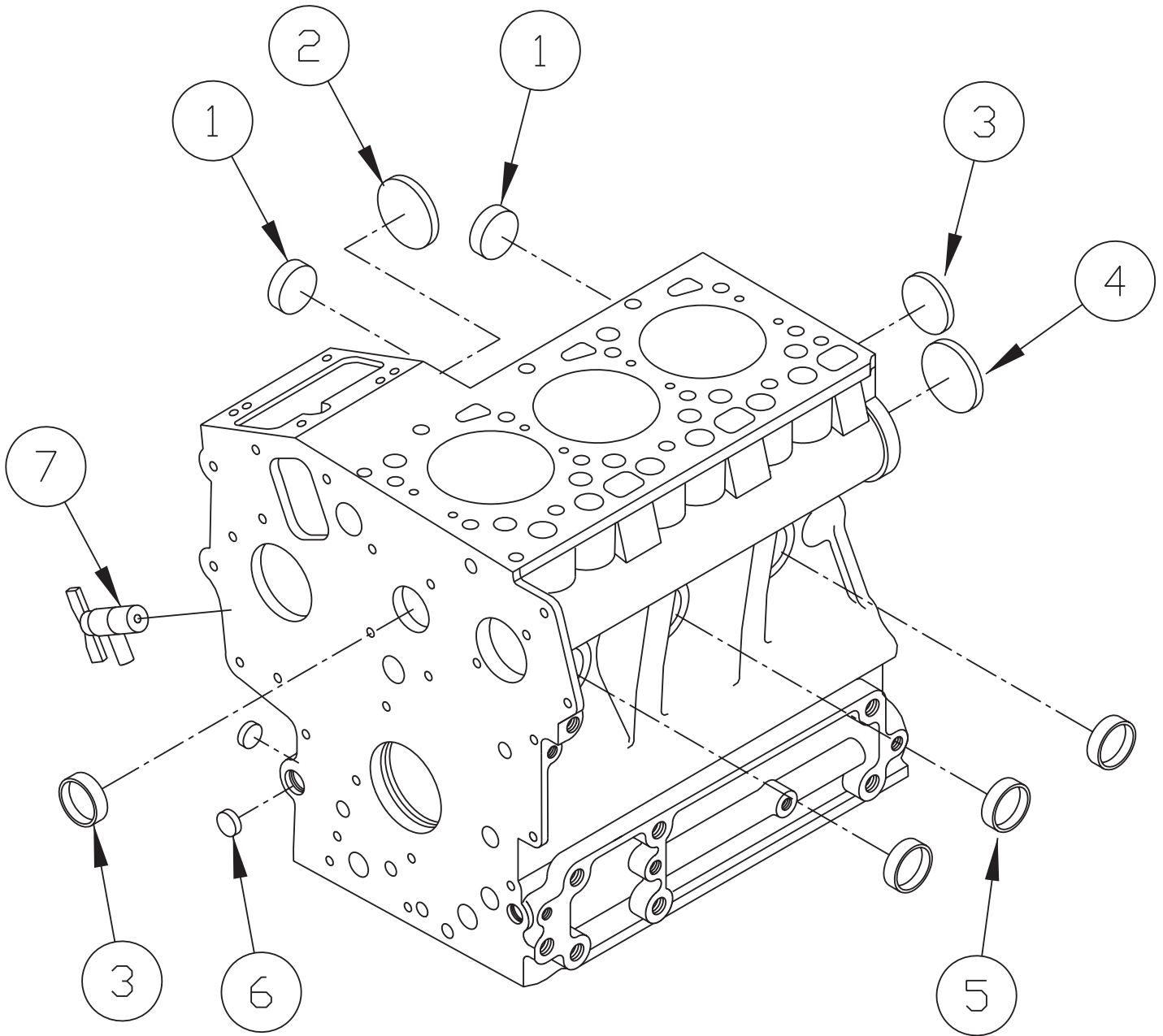
ENGINE KUBOTA D902 DIESEL & DF752 LP/GAS - ALTERNATOR, WATER PUMP, & FAN			
ITEM	PART NO.	QTY	DESCRIPTION
1	3337641	1	COVER-THERMOSTAT KUBOTA DF752
	3337642	1	COVER-THERMOSTAT KUBOTA D902
2	3309244	1	THERMOSTAT-WATER (LP/GAS KUBOTA DF752 ONLY)
	3335854	1	THERMOSTAT-KUBOTA (DIESEL KUBOTA D902 ONLY)
3	3333384	1	GASKET WATER FLANGE
4	3306601	1	GASKET-THERMOSTAT KBA GAS (LP/GAS KUBOTA DF752 ONLY)
	3338994	1	GASKET THERMOSTAT (DIESEL KUBOTA D902 ONLY)
5	3301441	1	SENDER-TEMPERATURE A12,A15,& KUBOTA
6	3337643	1	WATER-FLANGE KUBOTA DF752 (INCLUDES ITEM 3)
	3337644	1	WATER-FLANGE KUBOTA D902 (INCLUDES ITEM 3)
7	3337645	1	WATER PIPE RETURN KUBOTA DF752
	3333408	1	PIPE WATER RETURN (DIESEL KUBOTA D902 ONLY)
8	3318755	1	KUBOTA ALTERNATOR 40 AMP (LP/GAS KUBOTA DF752 ONLY)
	3335849	1	ALTERNATOR-KUBOTA (DIESEL KUBOTA D902 ONLY)
9	3337646	1	STAY-ALTERNATOR KUBOTA DF752-D902
10	3318745	1	KUBOTA-FAN COOLING (LP/GAS KUBOTA DF752 ONLY)
	3337647	1	FAN-ENGINE (DIESEL KUBOTA D902 ONLY)
11	3335913	1	FAN-ALTERNATOR BELT KUBOTA
12	3337648	1	PULLEY FAN DRIVE KUBOTA DF752
	3337649	1	PULLEY FAN DRIVE KUBOTA D902
13	3337650	1	PULLEY FAN KUBOTA DF752-D902
14	3330129	1	HOSE LWR WATER PMP (LP/GAS KUBOTA DF752 ONLY)
	3337651	1	WATER HOSE KUBOTA D902
15	3337373	1	PUMP-WATER (LP/GAS KUBOTA DF752 ONLY)
	3337652	1	WATER PUMP KUBOTA D902
16	3337653	1	PIPE-WATER KUBOTA DF752
	3337654	1	PIPE-WATER KUBOTA D902
17	3337655	1	OIL PAN KUBOTA DF752
	3337656	1	OIL PAN KUBOTA D902
18	3337657	1	GASKET KUBOTA DF752
	3337658	1	GASKET KUBOTA D902
19	3303923	1	PLUG-OIL PAN KUBOTA DF752
	3337702	1	PLUG-OIL PAN KUBOTA D902

ENGINE KUBOTA D902 DIESEL & DF752 LP/GAS - STARTER, & EXHAUST MANIFOLD



ENGINE KUBOTA D902 DIESEL & DF752 LP/GAS - STARTER, & EXHAUST MANIFOLD			
ITEM	PART NO.	QTY	DESCRIPTION
1	3337802	1	COVER KUBOTA DF752
2	3337703	1	SUPPORT-COVER KUBOTA DF752 ONLY
3	3337704	1	PLATE REAR END KUBOTA DF752
	3337705	1	PLATE REAR END KUBOTA D902
4	3337706	1	FLYWHEEL KUBOTA DF752
	3337707	1	FLYWHEEL KUBOTA D902
5	3337803	1	BELL HOUSING KUBOTA DF752-D902
6	3306594	1	STARTER-KUBOTA GAS (LP/GAS KUBOTA DF752 ONLY)
	3335850	1	STARTER-KUBOTA 902 (DIESEL KUBOTA D902 ONLY)
7	3333393	1	GASKET (LP/GAS KUBOTA DF752 ONLY)
	3337708	1	GASKET-EXHAUST MANIFOLD KUBOTA D902
8	3338670	1	MANIFOLD-EXHAUST KUBOTA DF752
9	3300387	1	SENDER-OIL PRESSURE
10	3301720	1	FTG-90 ELL 1/8 FPT
11	3305640	1	FTG-NIPPLE 1/8BPT-1/8NPT BRASS
12	3333388	1	CARTRIDGE OIL FILTER
13	3333401	1	GASKET HEAD COVER KUBOTA DF752
14	3337710	1	O-RING KUBOTA DF752-D902
15	3337711	1	PLUG-OIL HEAD COVER KUBOTA DF752-D902
16	3331829	3	NUT, CAP KUBOTA DF752
17	3331828	3	GASKET KUBOTA DF752
18	3337712	1	TUBE-BREATHER KUBOTA DF752
19	3337713	1	GASKET-HEAD COVER KUBOTA D902
20	3334288	1	BREATHER-VALVE KUBOTA D902
21	3334287	1	COVER-BREATHER KUBOTA D902
22	3337714	1	TUBE BREATHER KUBOTA D902
23	3332829	1	KUBOTA 902 PUMP COUPLING

ENGINE KUBOTA D902 DIESEL & DF752 LP/GAS - BLOCK AND FREEZE PLUGS

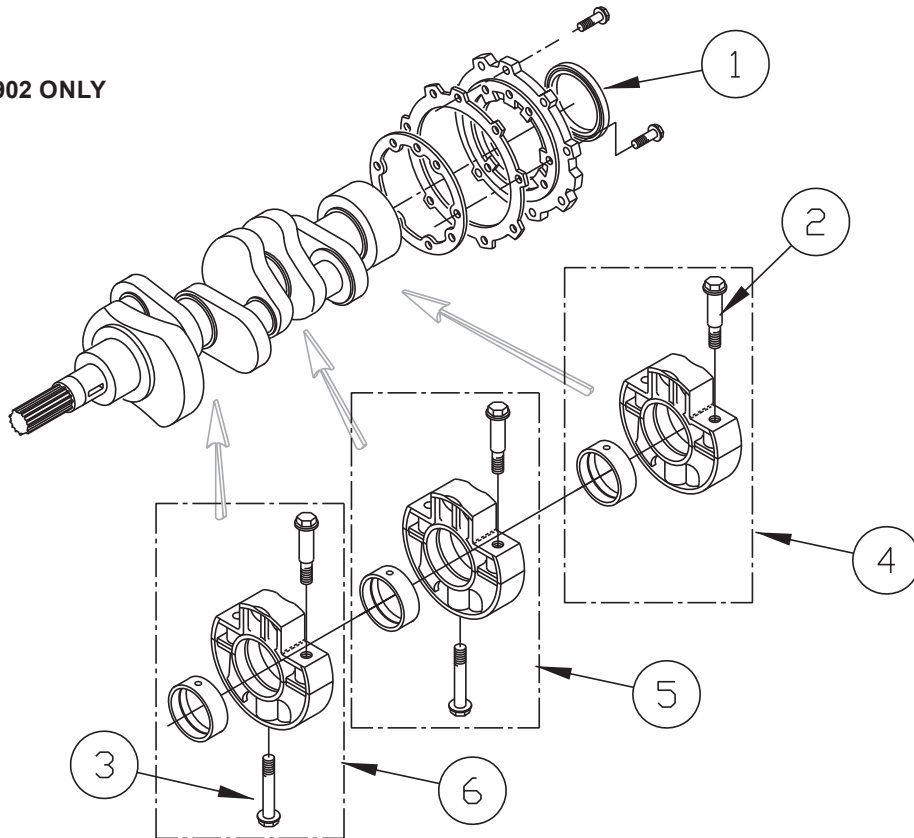


ENGINE KUBOTA D902 DIESEL & DF752 LP/GAS - BLOCK AND FREEZE PLUGS			
ITEM	PART NO.	QTY	DESCRIPTION
1	3337715	2	CAP SEALING KUBOTA DF752
	3337716	2	CAP SEALING KUBOTA D902
2	3337717	1	CAP SEALING KUBOTA D902 ONLY
3	3310007	2	PLUG-FREEZE KUBOTA DF752-D902
4	3337718	1	CAP SEALING KUBOTA DF752-D902
5	3337719	3	CAP SEALING KUBOTA DF752-D902
6	3337720	2	CAP SEALING KUBOTA DF752-D902
7	3337721	1	ASSY-COCK DRAIN KUBOTA DF752-D902

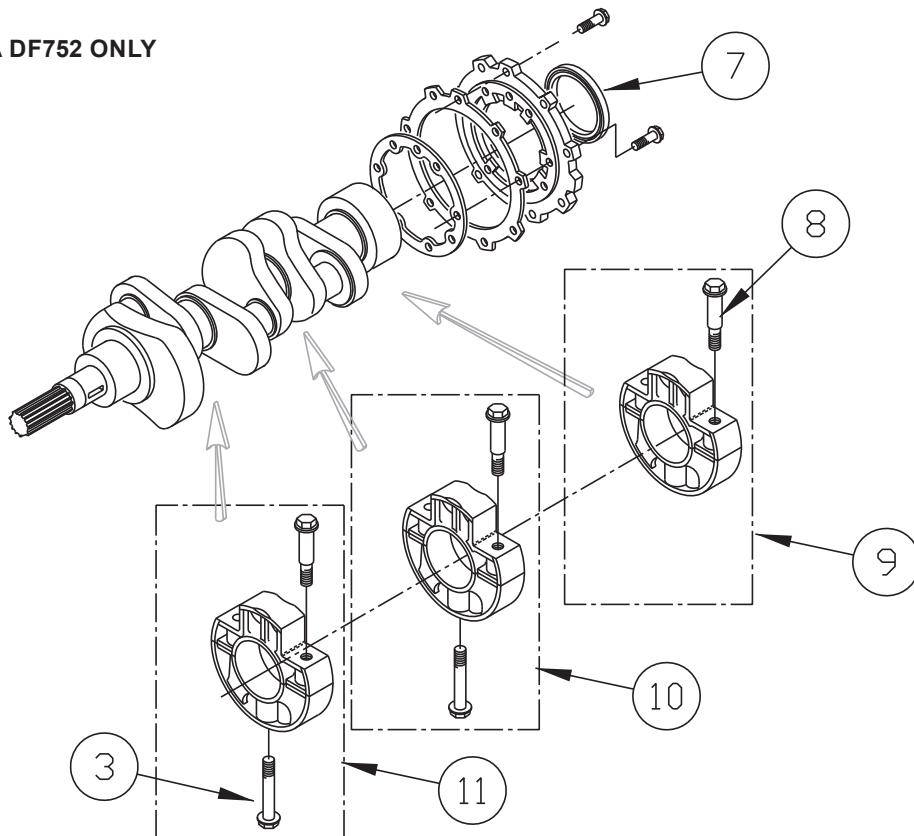
ENGINE KUBOTA D902 DIESEL & DF752 LP/GAS - CYLINDER HEAD AND VALVES			
ITEM	PART NO.	QTY	DESCRIPTION
1	3337722	14	BOLT CYCLINDER HEAD KUBOTA DF752-D902
2	3333382	3	GUIDE INLET VALVE KUBOTA DF752-D902
3	3333383	3	GUIDE EXHAUST VALVE KUBOTA DF752-D902
4	3337723	2	CAP SEALING KUBOTA DF752-D902
5	3337724	1	CAP SEALING KUBOTA DF752-D902
6	3334669	1	GASKET CYLINDER HEAD KUBOTA DF752
	3337725	1	GASKET CYLINDER HEAD KUBOTA D902
7	3337726	3	VALVE-EXHAUST KUBOTA DF752
	3337727	3	VALVE-EXHAUST KUBOTA D902
8	3337728	3	VALVE-INLET KUBOTA DF752
	3337729	3	VALVE-INLET KUBOTA D902
9	3333845	6	SEAL-VALVE STEM KUBOTA DF752-D902
10	3337730	6	SPRING VALVE KUBOTA DF752-D902
11	3337731	6	RETAINER SPRING KUBOTA DF752-D902
12	3337732	6	COLLET, VALVE SPRING KUBOTA DF752-D902
13	3337733	6	CAP, VALVE KUBOTA DF752-D902

ENGINE KUBOTA D902 DIESEL & DF752 LP/GAS - MAIN BEARING CASE

KUBOTA D902 ONLY

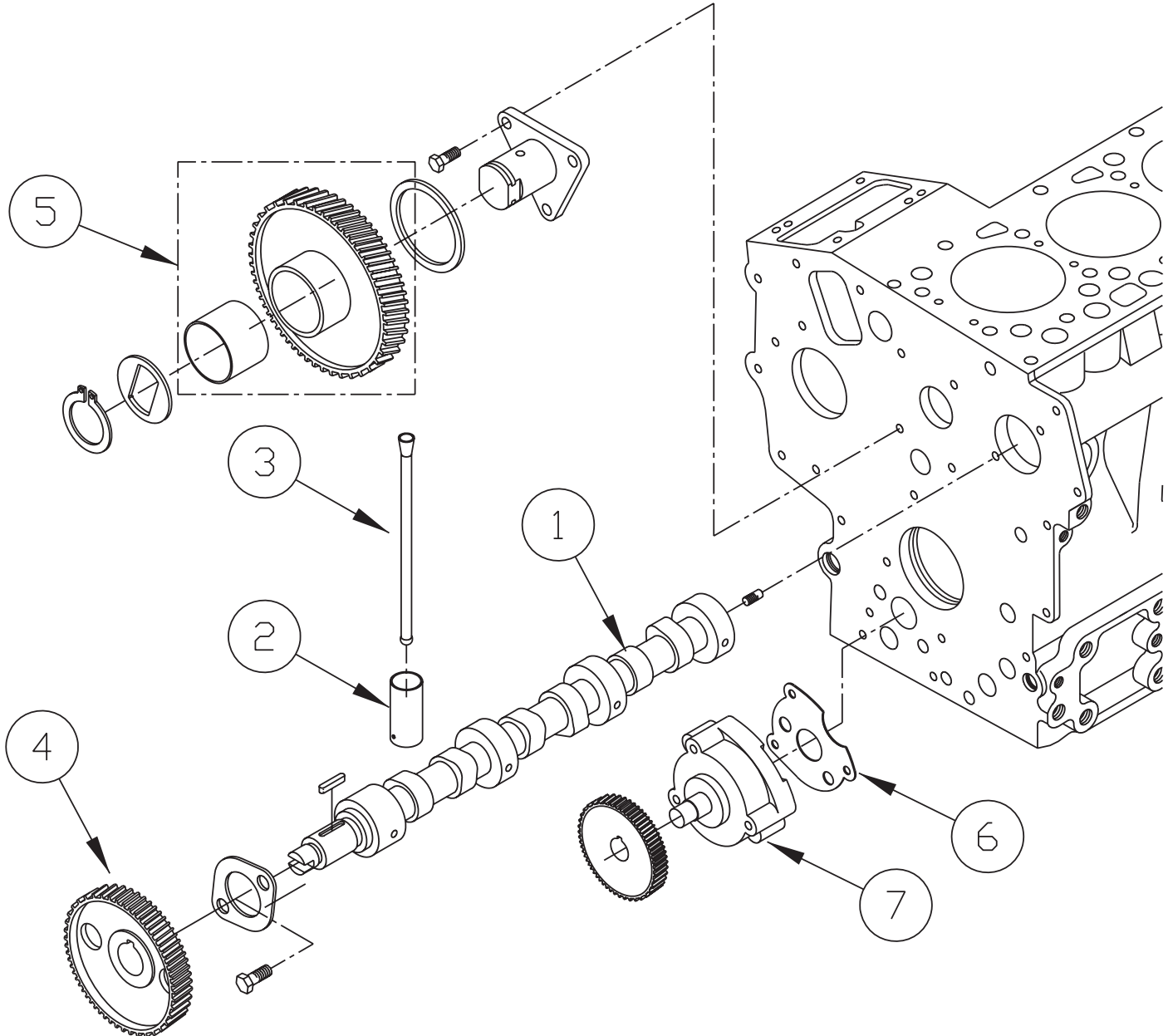


KUBOTA DF752 ONLY



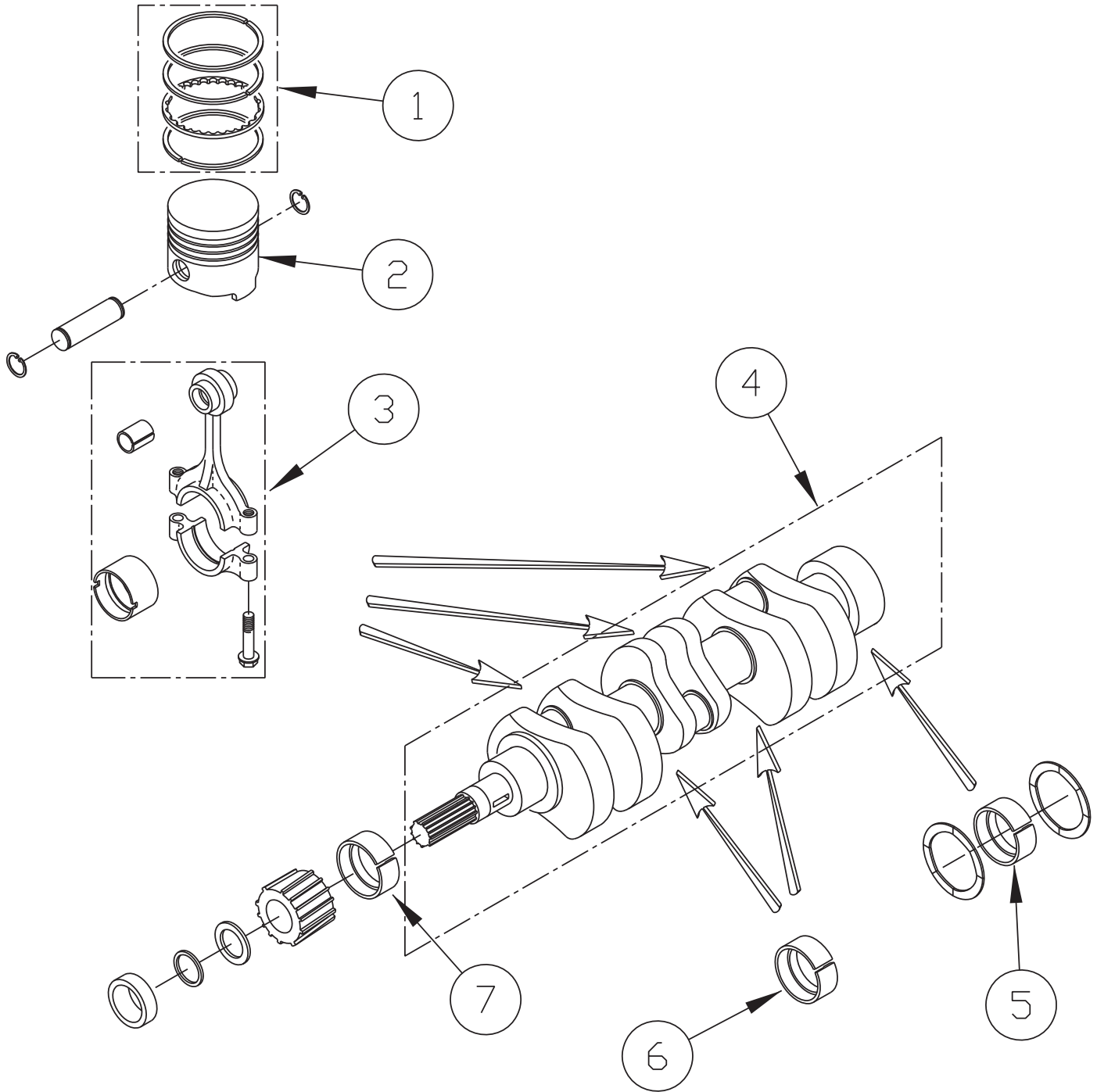
ENGINE KUBOTA D902 DIESEL & DF752 LP/GAS - MAIN BEARING CASE			
ITEM	PART NO.	QTY	DESCRIPTION
1	3337734	1	SEAL,OIL KUBOTA D902
2	3337735	3	BOLT,BEARING CASE KUBOTA D902
3	3337736	2	BOLT,BEARING CASE KUBOTA D902
4	3337737	1	ASSY BRG.CASE MAIN KUBOTA D902
5	3337738	1	ASSY BRG.CASE,MAIN KUBOTA D902
6	3337739	1	ASSY BRG.CASE,MAIN KUBOTA D902
7	3337740	1	SEAL,OIL KUBOTA DF752
8	3337741	3	BOLT,BEARING CASE KUBOTA DF752
9	3337742	1	ASSY BRG.CASE MAIN KUBOTA DF752
10	3316538	1	ASSY-CASE MAIN BEARING KUBOTA DF752
11	3316536	1	ASSY-CASE MAIN BEARING KUBOTA DF752

ENGINE KUBOTA D902 DIESEL & DF752 LP/GAS - CAMSHAFT, IDLE & OIL PUMP



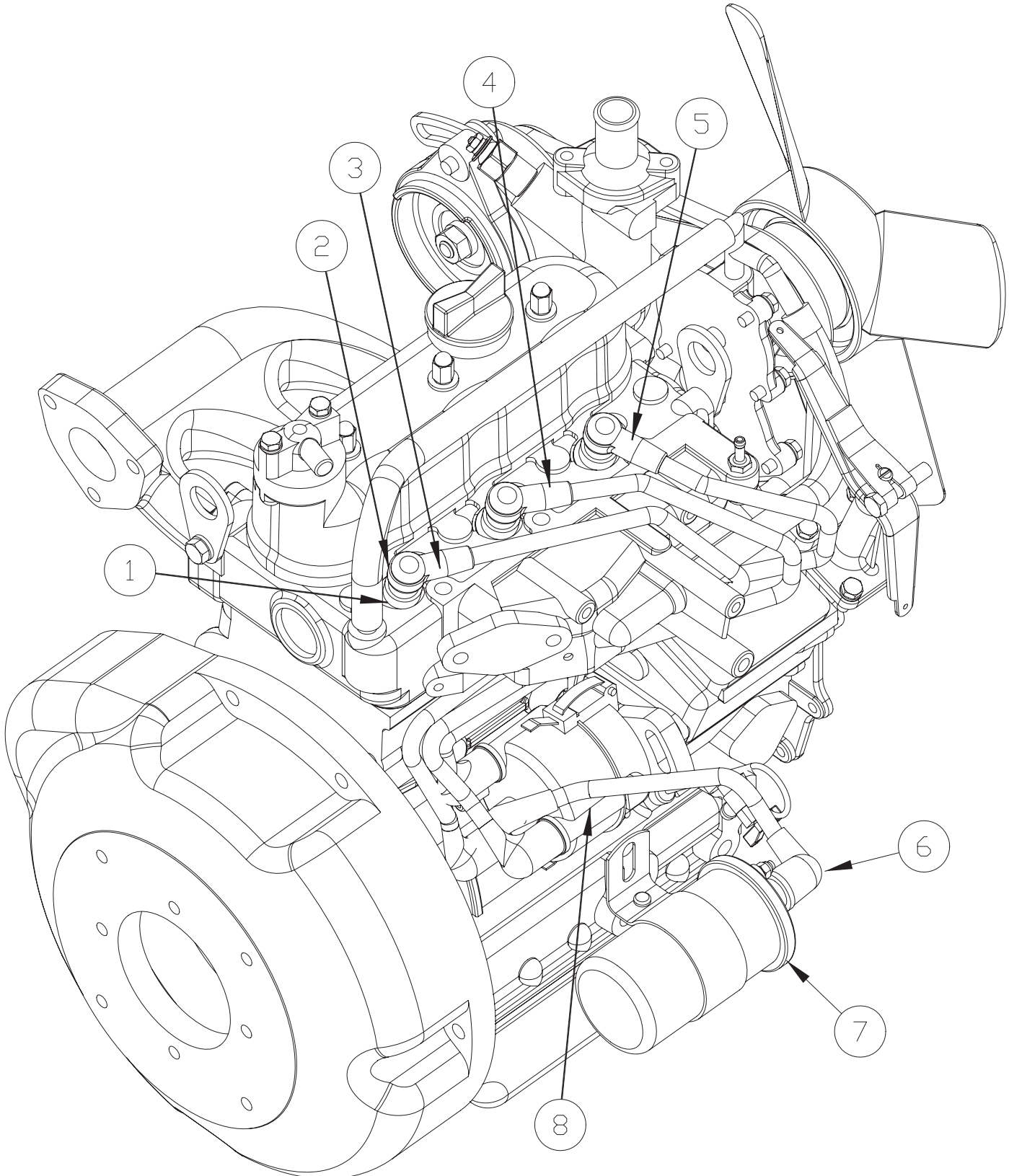
ENGINE KUBOTA D902 DIESEL & DF752 LP/GAS - CAMSHAFT, IDLE & OIL PUMP			
ITEM	PART NO.	QTY	DESCRIPTION
1	3337745	1	ASSY CAMSHAFT KUBOTA DF752
	3337746	1	ASSY CAMSHAFT KUBOTA D902
2	3337747	3	TAPPET KUBOTA DF752-D902
3	3337748	3	PUSH ROD KUBOTA DF752-D902
4	3337749	1	GEAR,CAM KUBOTA DF752-D902
5	3337750	1	GEAR,IDLE KUBOTA DF752-D902
6	3333405	1	GASKET OIL PUMP KUBOTA DF752-D902
7	3337751	1	ASSY PUMP OIL KUBOTA DF752-D902

ENGINE KUBOTA D902 DIESEL & DF752 LP/GAS - PISTON AND CRANKSHAFT



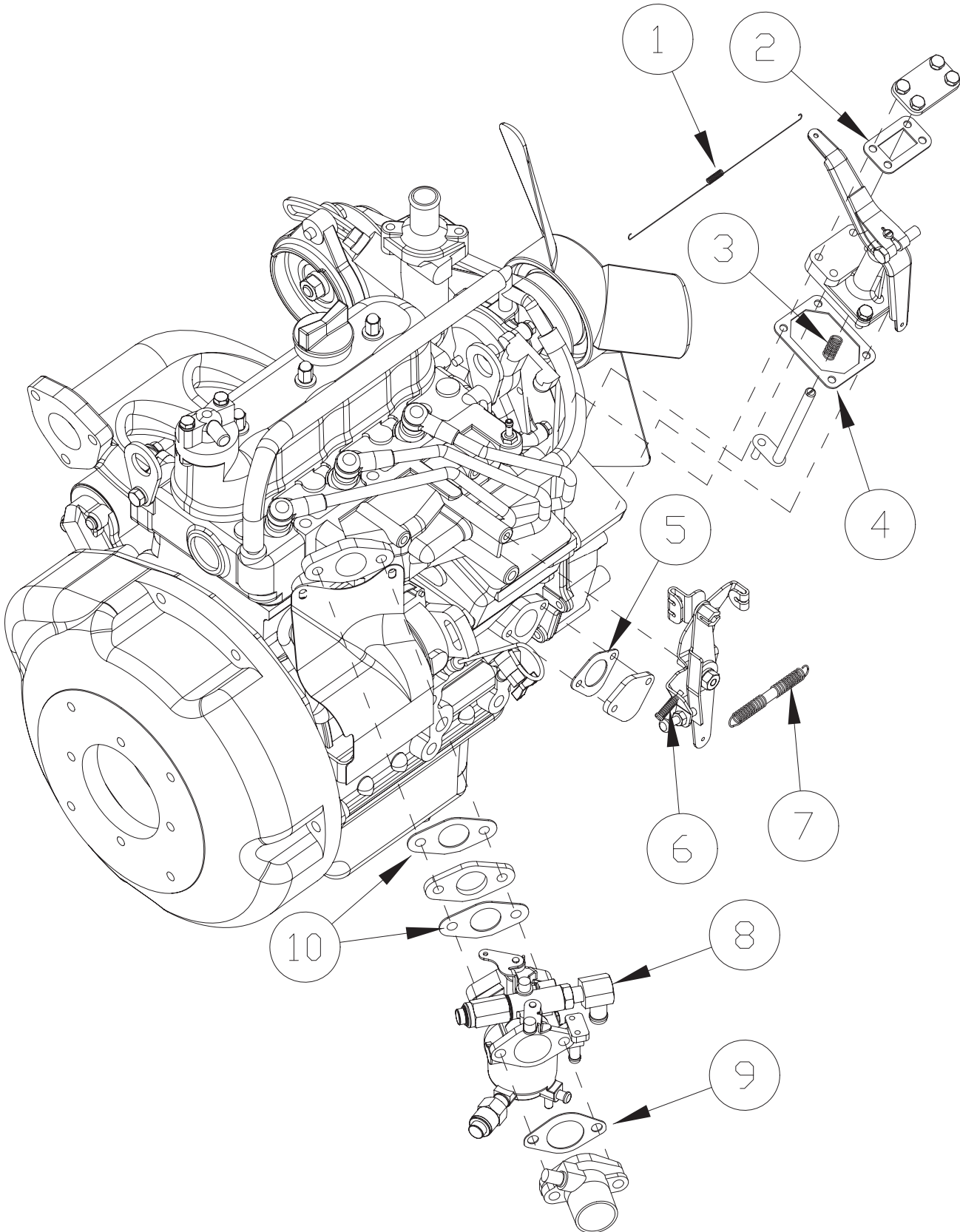
ENGINE KUBOTA D902 DIESEL & DF752 LP/GAS - PISTON AND CRANKSHAFT			
ITEM	PART NO.	QTY	DESCRIPTION
1	3337752	3	ASSY PISTON RING KUBOTA DF752 STD
	3337753	3	ASSY PISTON RING KUBOTA DF752 +0.5MM
	3337754	3	ASSY PISTON RING KUBOTA D902 STD
	3337755	3	ASSY PISTON RING KUBOTA D902 +0.25MM
2	3337756	3	PISTON KUBOTA DF752 STD
	3337757	3	PISTON KUBOTA DF752 +0.5MM
	3337758	3	PISTON KUBOTA D902 STD
	3337759	3	PISTON KUBOTA D902 +0.25MM
3	3337760	3	ASSY ROD CONNECTING KUBOTA DF752-D902
4	3337761	1	CRANKSHAFT KUBOTA DF752
	3337762	1	CRANKSHAFT KUBOTA D902
5	3337763	1	METAL CRANKSHAFT KUBOTA DF752 STD
	3337764	1	METAL CRANKSHAFT KUBOTA DF752 -0.2MM
	3337765	1	METAL CRANKSHAFT KUBOTA DF752 -0.4MM
	3337766	1	METAL CRANKSHAFT KUBOTA D902 STD
	3337767	1	METAL CRANKSHAFT KUBOTA D902 -0.2MM
	3337768	1	METAL CRANKSHAFT KUBOTA D902 -0.4MM
6	3337769	2	METAL CRANKSHAFT KUBOTA DF752 STD
	3337770	2	METAL CRANKSHAFT KUBOTA DF752 -0.2MM
	3337771	2	METAL CRANKSHAFT KUBOTA DF752 -0.4MM
	3337772	2	METAL CRANKSHAFT KUBOTA D902 STD
	3337773	2	METAL CRANKSHAFT KUBOTA D902 -0.2MM
	3337774	2	METAL CRANKSHAFT KUBOTA D902 -0.4MM
7	3337775	1	METAL CRANKSHAFT KUBOTA DF752 STD
	3337776	1	METAL CRANKSHAFT KUBOTA DF752 -0.2MM
	3337777	1	METAL CRANKSHAFT KUBOTA DF752 -0.4MM
	3337778	1	METAL CRANKSHAFT KUBOTA D902 STD
	3337779	1	METAL CRANKSHAFT KUBOTA D902 -0.2MM
	3337780	1	METAL CRANKSHAFT KUBOTA D902 -0.4MM

ENGINE KUBOTA DF752 LP/GAS - DISTRIBUTOR AND SPARK PLUG



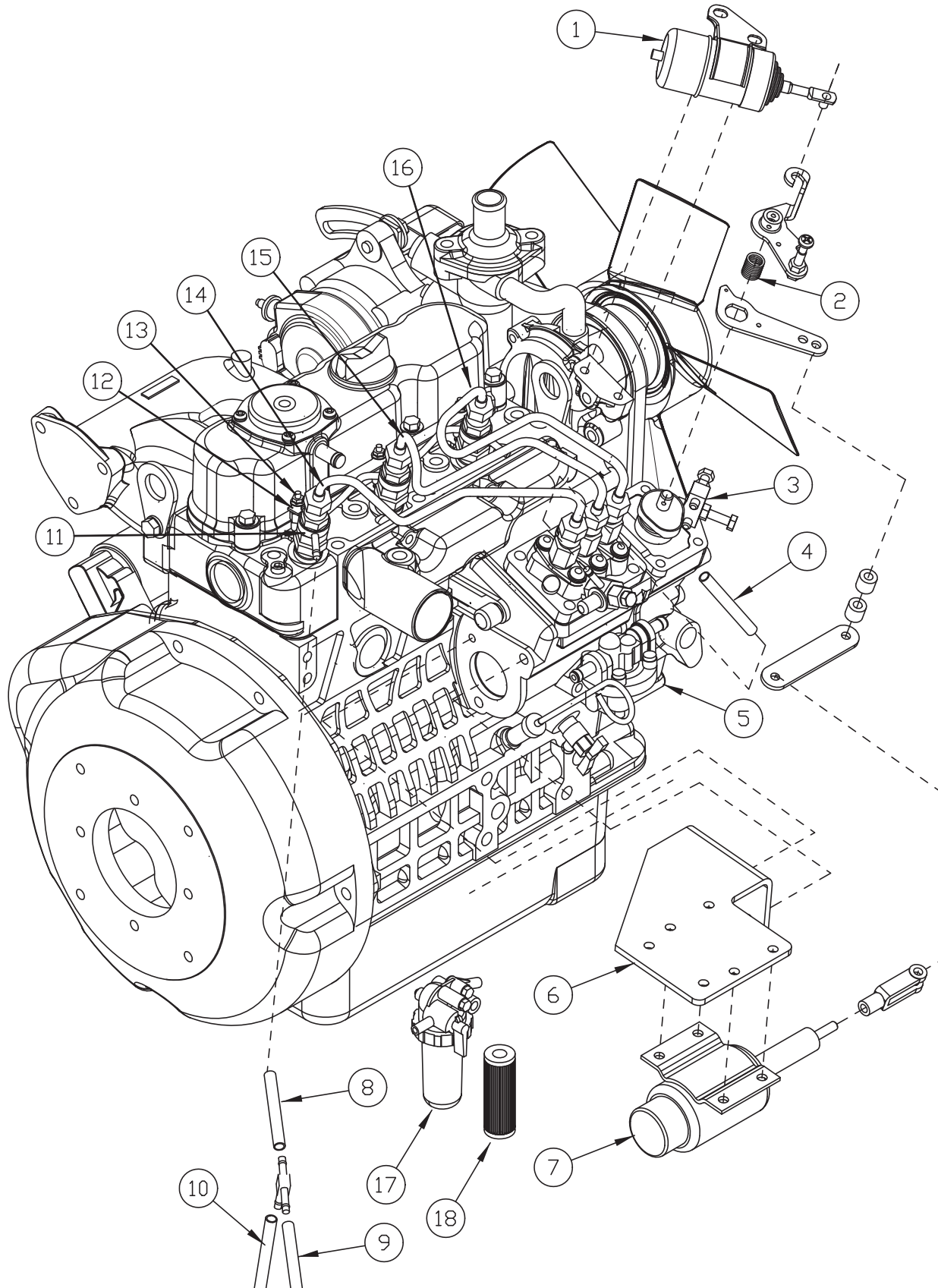
ENGINE KUBOTA DF752 LP/GAS - DISTRIBUTOR AND SPARK PLUG			
ITEM	PART NO.	QTY	DESCRIPTION
1	3337781	3	CAP SPARK PLUG KUBOTA DF752
2	3306610	3	PLUG-SPARK KUBOTA DF752
3	3335954	1	WIRE-SPARK PLUG DF752 KUBOTA
4	3335955	1	WIRE-SPARK PLUG DF752 KUBOTA
5	3335956	1	WIRE-SPARK PLUG DF752 KUBOTA
6	3318742	1	KUBOTA-COIL WIRE DF752
7	3318746	1	COIL IGNITION KUBOTA DF752
8	3334908	1	DISTRIBUTOR KUBOTA DF752

ENGINE KUBOTA DF752 LP/GAS - CARBURETOR AND GOVERNOR



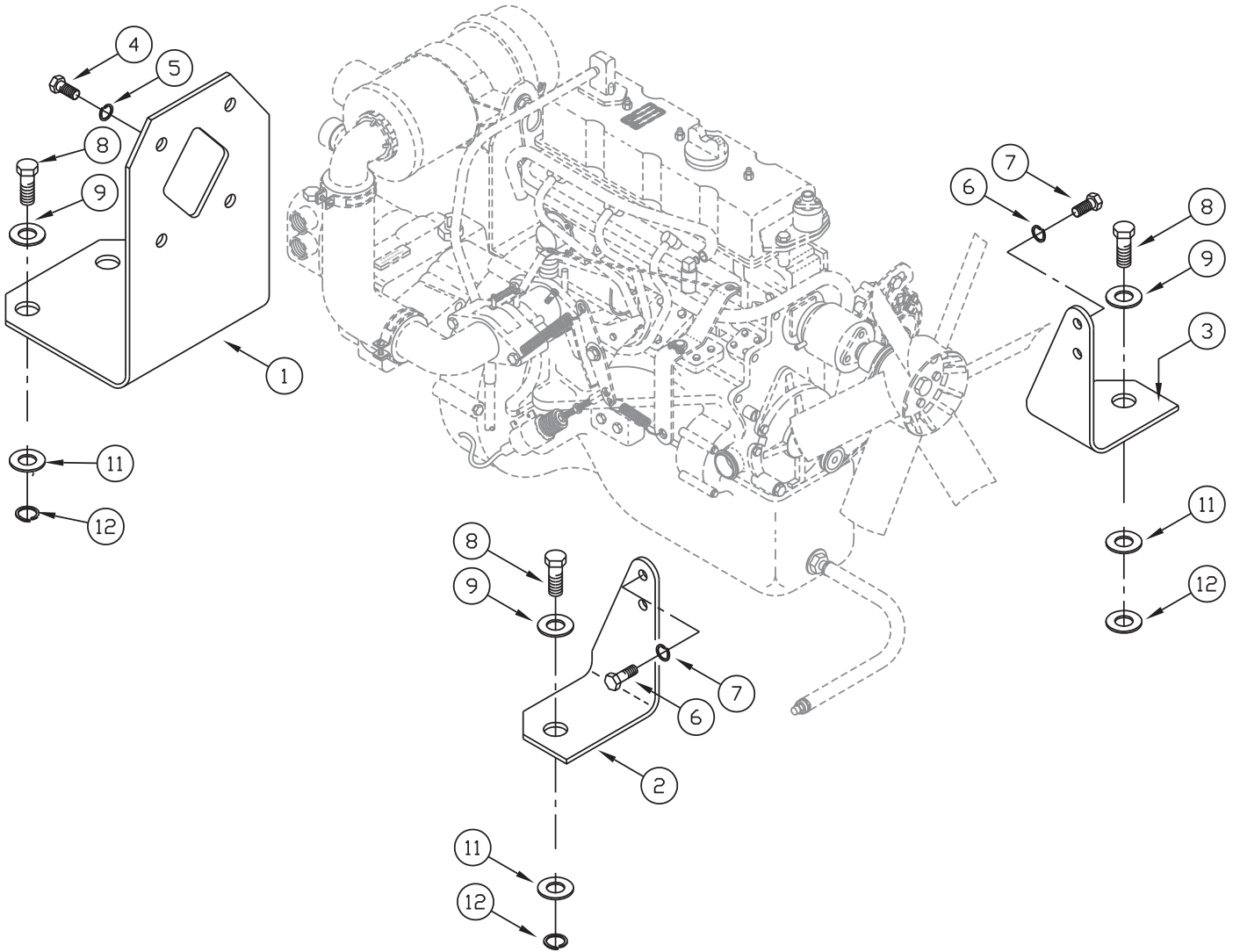
ENGINE KUBOTA DF752 LP/GAS - CARBURETOR AND GOVERNOR			
ITEM	PART NO.	QTY	DESCRIPTION
1	3336725	1	SPRING KUBOTA DF752
2	3337782	1	GASKET GOVERNOR KUBOTA DF752
3	3337783	1	SPRING GOVERNOR LEVER KUBOTA DF752
4	3337784	1	GASKET CONTROL PLALE KUBOTA DF753
5	3330693	1	GASKET FUEL PUMP KUBOTA DF752
6	3337785	1	SPRING SPEED CONTL KUBOTA DF752
7	3336727	1	ASSY - SPRING KUBOTA DF752
8	3332774	1	CARBUERATOR KUBOTA DF752
9	3337786	1	GASKET, AIR CLEANER KUBOTA DF752
10	3306632	1	GASKET-CARBURETOR KUBOTA DF752

ENGINE KUBOTA D902 LP/GAS - FUEL SYSTEM



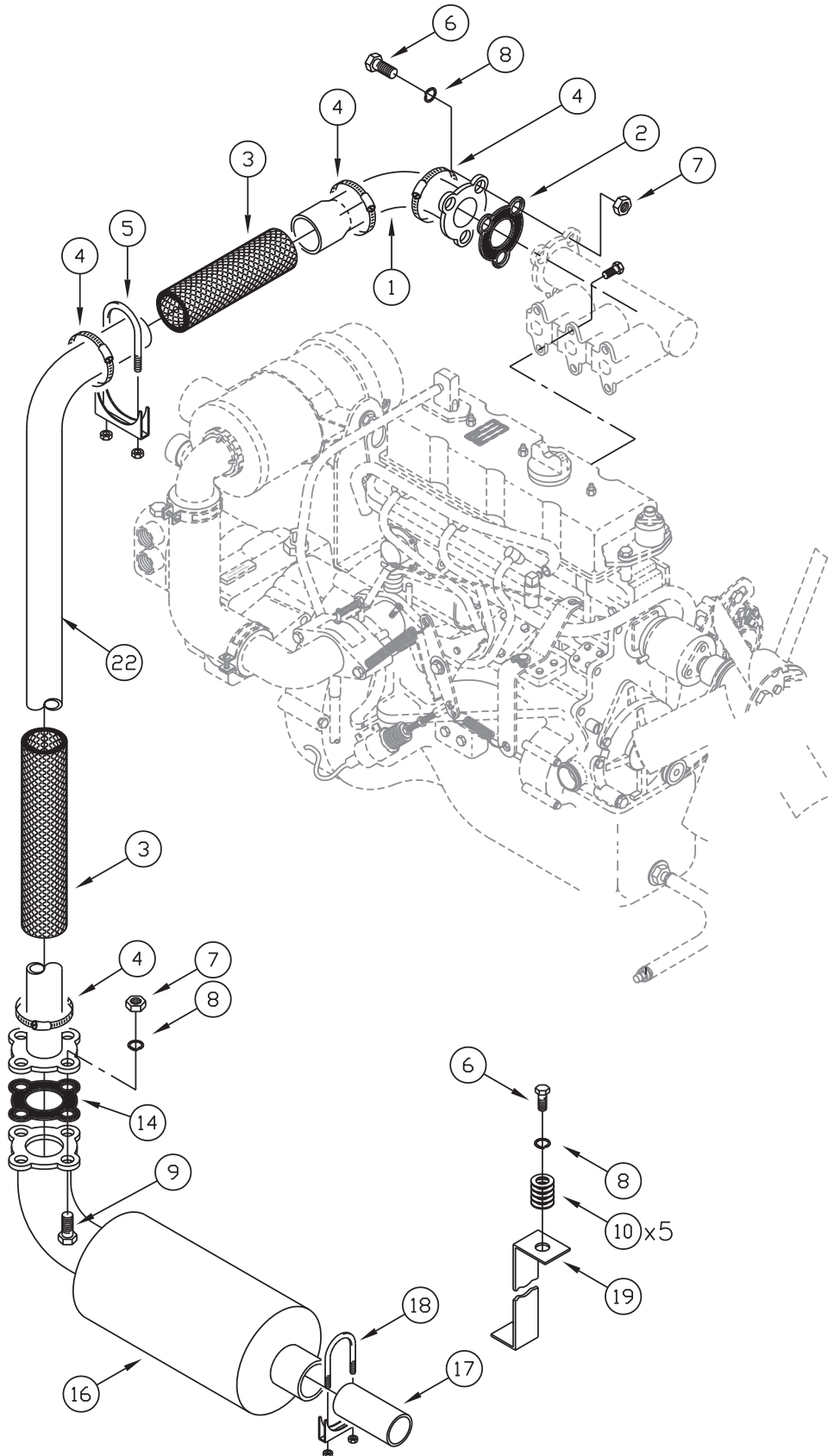
ENGINE KUBOTA D902 LP/GAS - FUEL SYSTEM			
ITEM	PART NO.	QTY	DESCRIPTION
1	3335860	1	STOP-SOLENOID KUBOTA D902
2	3337787	1	SPRING RETURN SPEED CONTROL KUBOTA D902
3	3337788	1	PLATE SPEED CONTROL KUBOTA D902
4	3337789	1	FUEL PIPE KUBOTA D902
5	3337790	1	FUEL PUMP KUBOTA D902
*	3330693	1	GASKET -FUEL PUMP KUBOTA D902
6	3337804	1	MOUNTING BRACKET KUBOTA D902 (EPS2250)
7	3335303	1	SOLENOID-THROTTLE SOLENOID KIT
8	3337791	1	FUEL TUBE KUBOTA D902
9	3337792	1	FUEL TUBE KUBOTA D902
10	3337793	1	FUEL TUBE KUBOTA D902
11	3335855	3	INJECTOR-KUBOTA 902
12	3337794	1	CORD,GLOW PLUG KUBOTA D902
13	3329846	3	PLUG, GLOW KUBOTA D902
14	3337795	1	PIPE,INJECTION KUBOTA D902
15	3337796	1	PIPE,INJECTION KUBOTA D902
16	3337797	1	PIPE,INJECTION KUBOTA D902
17	3337934	1	ASSY-FILTER/SHUT-OFF D902 (6X)
18	3337946	1	FILTER-D902 FUEL
*	3330885	1	RELAY-GLOWPLUG KUBOTA D902 (NOT SHOWN)

ENGINE WG750 GAS - MOUNTINGS



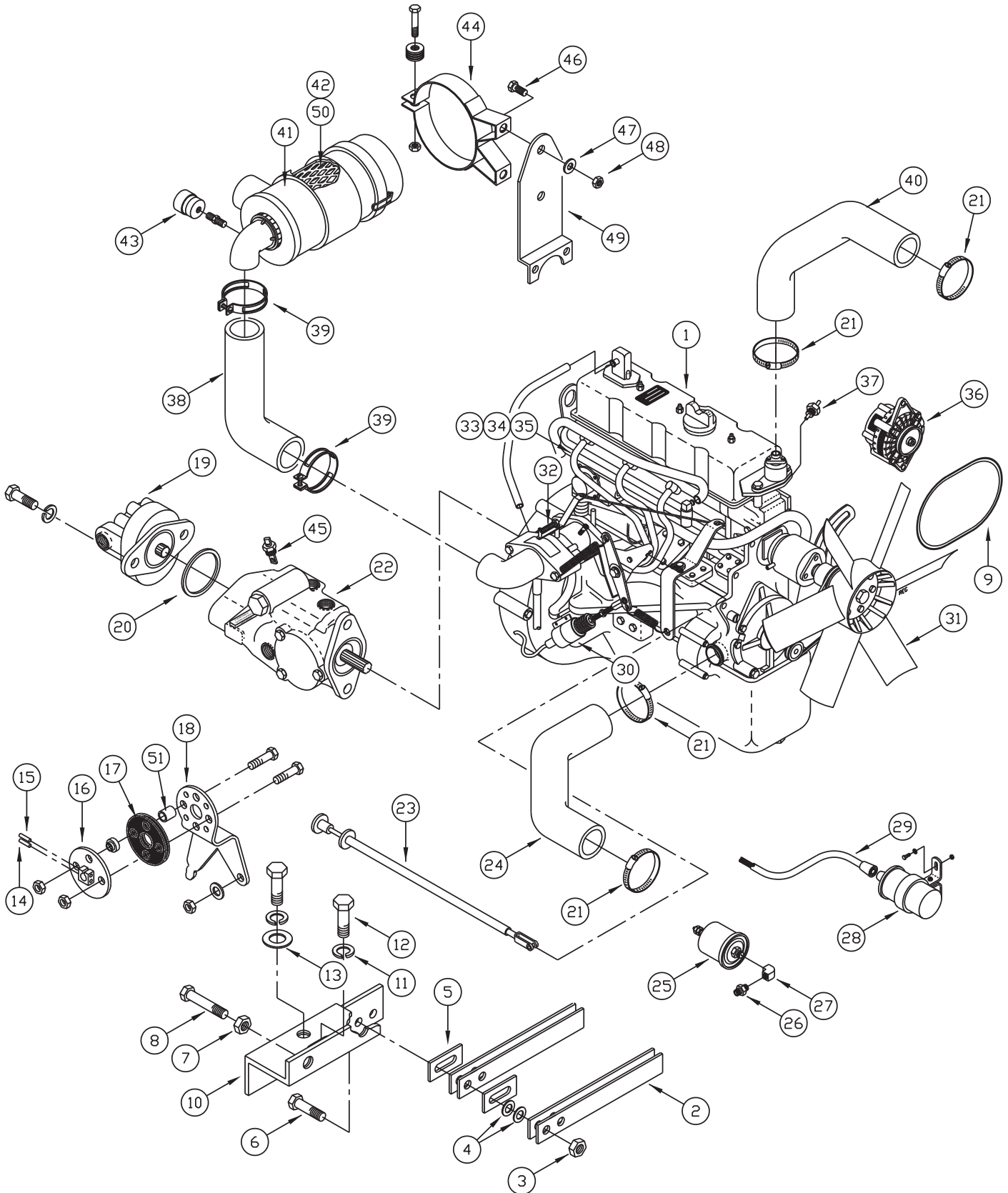
ENGINE WG750 GAS - MOUNTINGS			
ITEM	PART NO.	QTY	DESCRIPTION
1	3338124	1	WELD—ENG MOUNT REAR WG750
2	3338122	1	MOUNT—ENGINE RH WG750 KBA
3	3338121	1	MOUNT—ENGINE LH WG750 KBA
4	3400030	4	SCR—HEX,3/8-16X1.00 ZP
5	3400101	4	WASHER—LOCK 3/8 SPLIT ZP
6	620082	4	SCR-HH M10-1.25 X 25 ZP CLASS 8.8
7	3401458	4	WASHER-LOCK 10MM SPLIT ZP
8	3400020	4	SCR-HH 1/2-13 X 2.00 ZP GR 5
9	3400087	8	WASHER-FLAT 3/8 ZP
11	3400101	4	WASHER-LOCK 3/8 SPLIT ZP
12	3400091	4	WASHER-FENDER 1/2 X 2.00 ZP

ENGINE WG750 GAS - RADIATOR AND EXHAUST SYSTEM



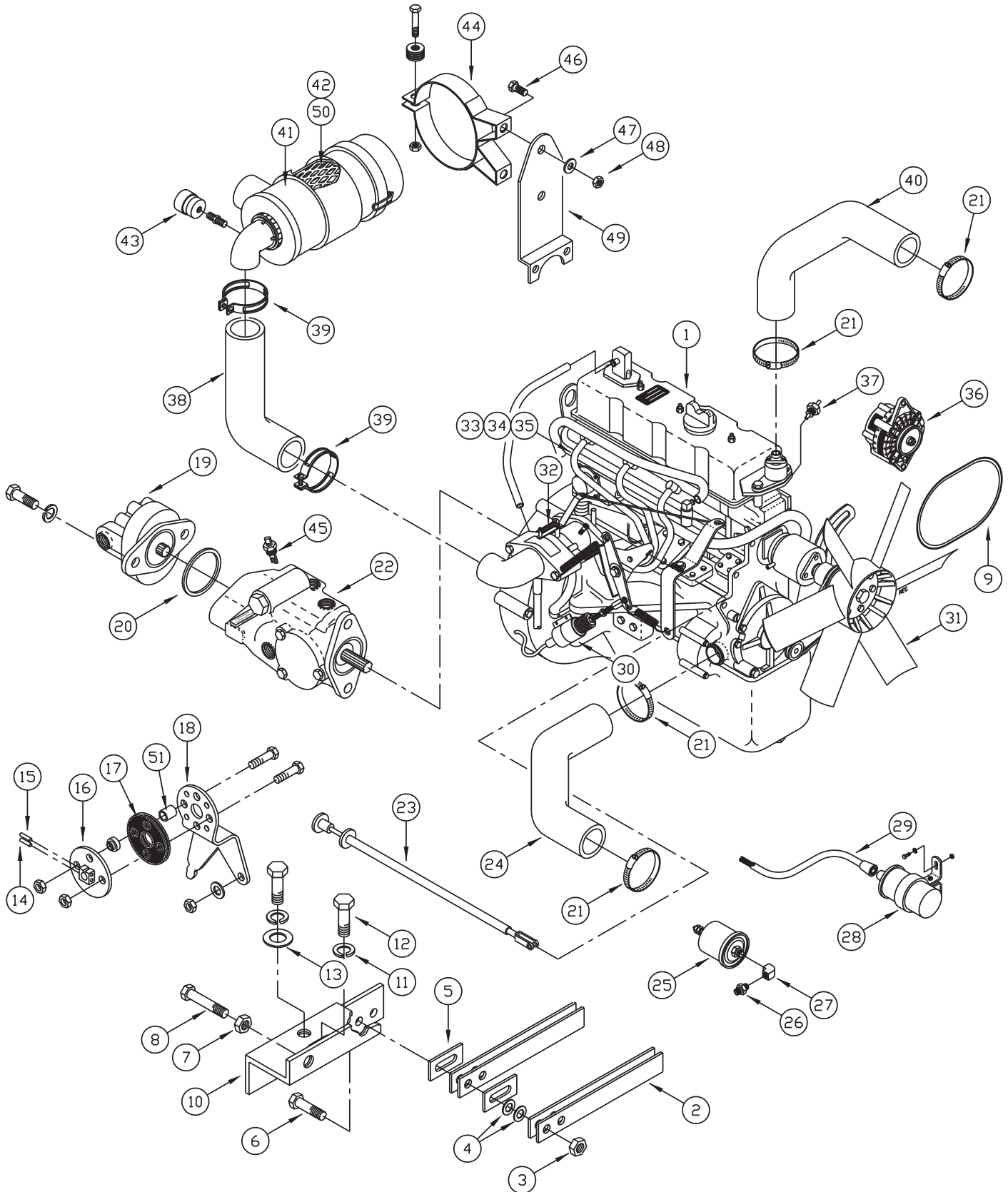
ENGINE WG750 GAS - RADIATOR AND EXHAUST SYSTEM			
ITEM	PART NO.	QTY	DESCRIPTION
1	3338582	1	ASSY- 752 EXHAUST
2	3310021	1	GASKET—EXH SW71 KBA GAS (SP)
3	3312281	2	EXHAUST—WRAP MANIFOLD TUBE
4	3302193	4	CLAMP—HOSE 1.25 NOM
5	3301640	1	CLAMP—EXHAUST 1 3/4
6	3400339	4	SCREW-HEX,3/8-16X2.25 SS
7	3400070	7	NUT—HEX 5/16-18 ZP
8	3400101	8	WASHER—LOCK 3/8 SPLIT ZP
9	3400035	4	SCR—HEX,5/16-18X1.00 ZP
10	3400278	5	WASHER-FENDER 3/8 ZP
14	PBK15371-12370	1	GASKET—MUFFLER
16	3316505	1	MUFFLER—KBA WG750 (SP)
17	3315317	1	PIPE—EXTENSION SW/62 GAS/DSL
18	3316508	1	CLAMP—MUFLR/TAIPIPE KBA 62-SP
19	3318406	1	BRKT—EXHAUST MOUNT SW/72
22	3338023	1	PIPE EXH MANIF TO MUFFLER (USE #3338582)

ENGINE WG750 GAS - COMPONENTS



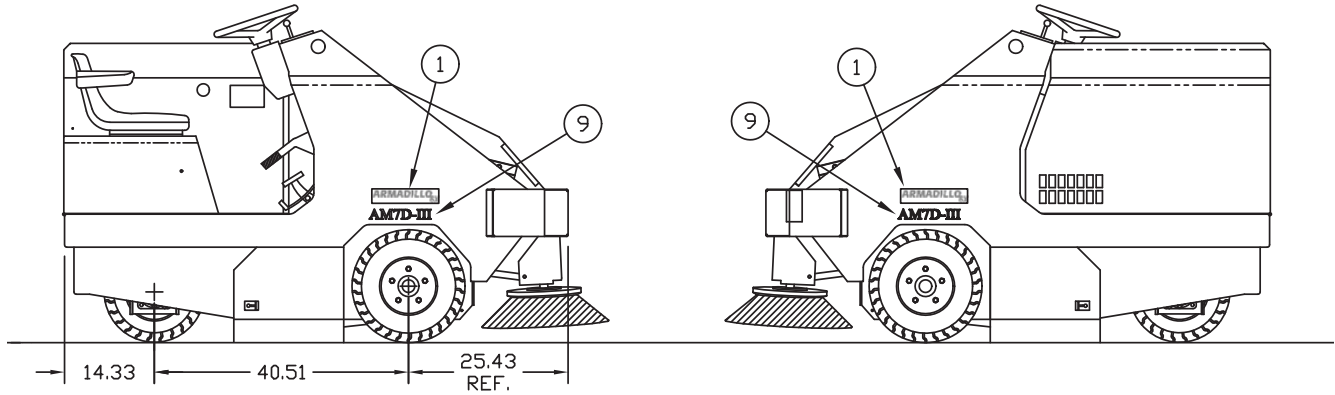
ENGINE WG750 GAS - COMPONENTS			
ITEM	PART NO.	QTY	DESCRIPTION
1	3338097	1	POWERTRAIN—KUBOTA GAS
2	3300543	4	SPRING—RETURN
3	3400081	2	NUT—HEX 1/4-20 ES ZP
4	3400089	4	WASHER—FLAT 1/4 STANDARD ZP
5	3303918	2	SPACER—FWD / REV BRKT PLTD
6	3400149	2	SCR—HEX 1/4-20 X 1.50 ZP
7	3400069	2	NUT—HEX 5/16-24 ZP
8	3400228	2	SCR—HEX 5/16-24 X 1.5 ZP FULL TH
9	3316296	1	BELT-FAN 750 KBA GAS ENG (SP)
10	3338015	1	PLATE—DIR CONTROL ADJ
11	3400102	2	WASHER—LOCK 5/16 SPLIT ZP
12	3400036	2	SCR—HEX 5/15-18 X 0.75 ZP
13	3400088	1	WASHER—FLAT 5/16 STANDARD ZP
14	3400173	1	SCR—HEX 1/4-20 X 1.75 ZP
15	3400027	1	SCR—HEX 3/8-16 X 1.75 ZP
16	3301544	1	WELD—DISC FWD/REV PLTD
17	3301507	1	COUPLING—DIR CONTROL
18	3338014	1	PLATE—DIRECTIONAL CONTROL
19	3338093	1	GEAR PUMP—SW/6XV
20	3303711	1	O-RING STATIC SEAL 3.239 ID
21	3302193	1	CLAMP—HOSE 1.25 NOM
22	3338090	1	PUMP—MAIN HYD DRIVE SW6XV
23	3313077	1	CABLE—CHOKE SW/62 GAS
24	3331363	1	WG750 LOWER RAD HOSE GRIFFIN
25	3300387	1	SENDER—OIL PRESSURE
26	3305640	1	FTG—NIPPLE 1/8 RPT-1/8 NPT BRASS
27	3301720	1	FTG—90 EL 1/8 FPT
28	3318746	1	COIL IGNITION
29	3318742	1	COIL WIRE
30	3330186	1	WG750—SOLENOID THROTTLE LP4/98
31	3322163	1	FAN BLADE—D722/D750
32	3318754	1	CARBURETOR
33	3318749	1	WIRE #1 SPARK PLUG
34	3318750	1	WIRE # 2 SPARK PLUG
35	3318751	1	WIRE #3 SPARK PLUG

ENGINE WG750 GAS - COMPONENTS (CONTINUED)



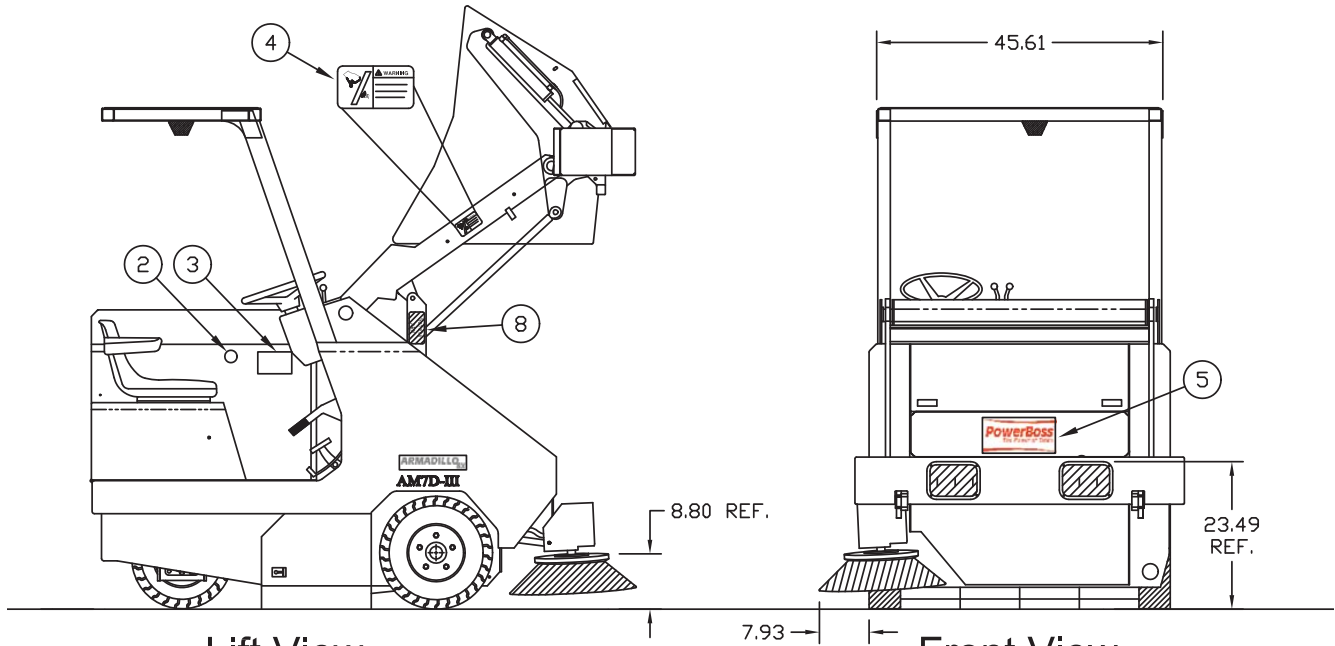
ENGINE WG750 GAS - COMPONENTS			
ITEM	PART NO.	QTY	DESCRIPTION
36	3318755	1	WG750—KUBOTA ALTERNATOR
37	3301441	1	SENDER—TEMP
38	3331364	1	HOSE—90 DEG AIR INTAKE
39	3044112	1	CLAMP—HOSE 2.50 MAX WORM
40	3331362	1	WG750 UPPER RAD HOSE GRIFFIN
41	3331005	1	WG750—AIR CLNR ASSY
42	3330677	1	WG750—ELEMENT (NEW) PRIMARY
43	3303991	1	INDICATOR—AIR CLEANER KIT
44	3331360	1	BAND-AIR CLEANER MNT SMALL
45	3331367	1	VALVE TOW OPTION
46	3400036	2	SCR—HEX,5/16-18X0.75 ZP
47	3400102	2	WASHER—LOCK 5/16 SPLIT ZP
48	3400070	2	NUT—HEX 5/16-18 ZP
49	3331365	1	BRKT AIR CLEANER MOUNT
50	3330678	1	WG750—ELEMENT (NEW) SAFETY
51	3300339	4	SLEEVE-SQ & FWD/REV

DECAL LAYOUT



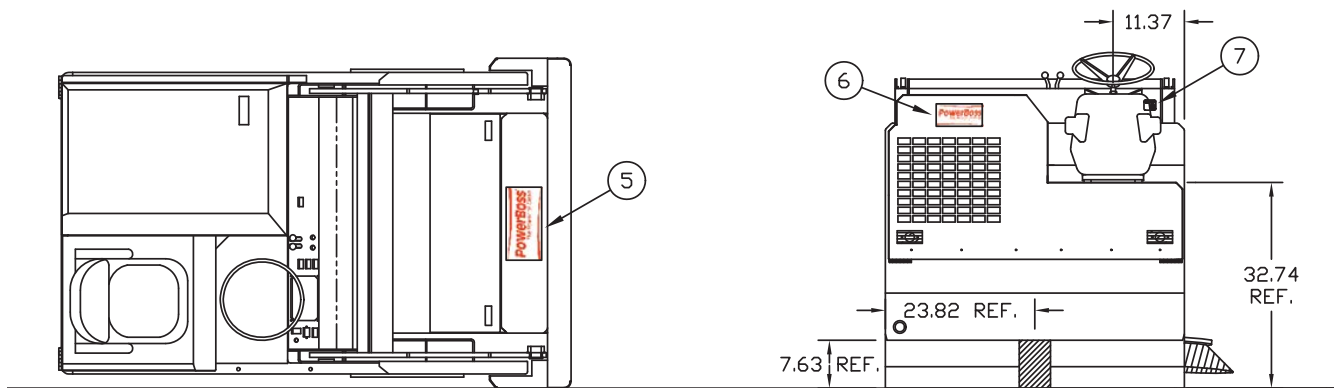
Right-Hand View

Left-Hand View



Lift View

Front View



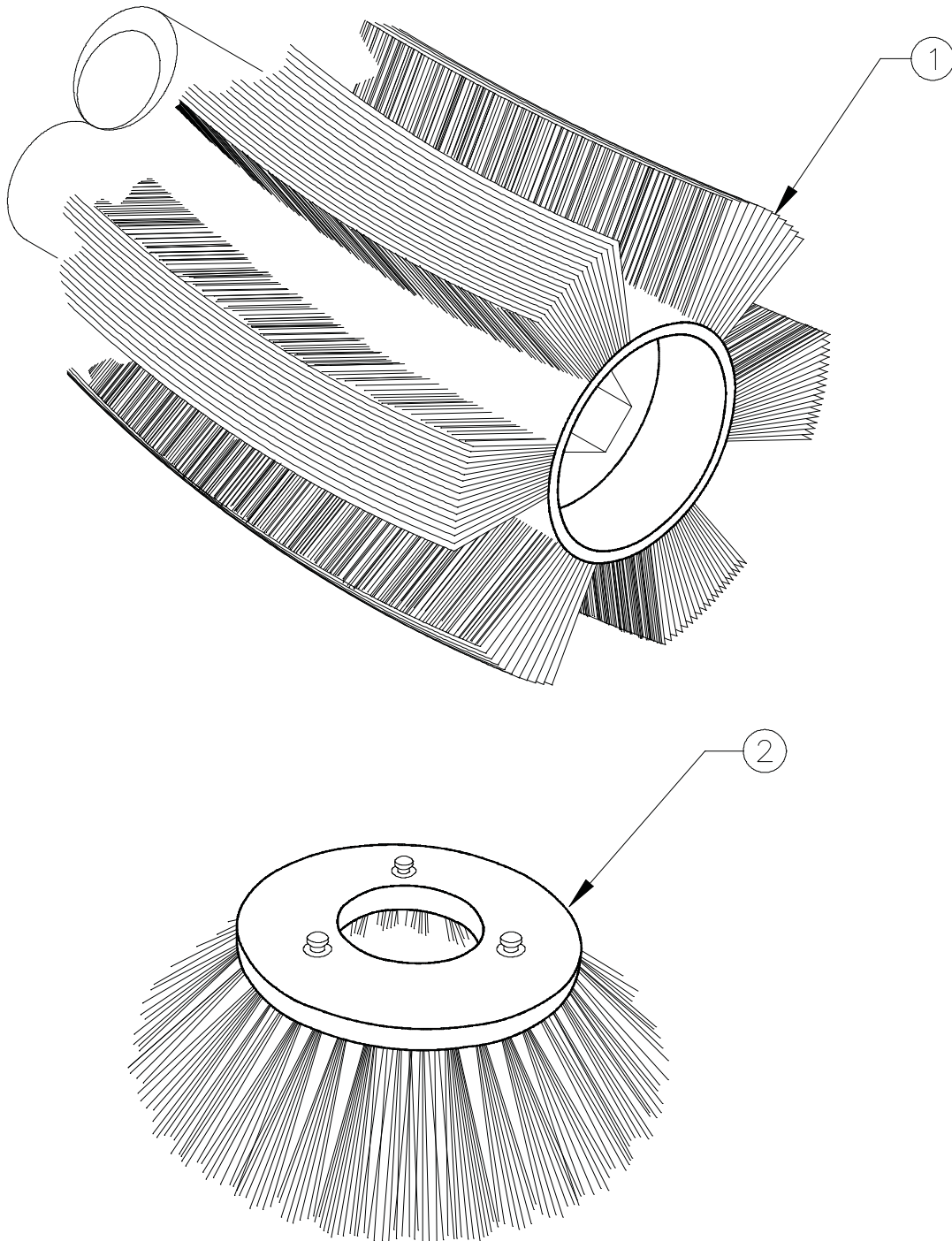
Top View

Rear View

DECAL LAYOUT			
ITEM	PART NO.	QTY	DESCRIPTION
1	3343876	2	DECAL-ARMADILLO 6X (ARMADILLO 6X ONLY)
2	3334827	1	DECAL-MADE IN USA, 1.75 DIA (ARMADILLO 6X ONLY)
3	3301854	1	DECAL-CAUTION, 5X4.50"
4	3301732	1	DECAL—WARNING HOPPER ARMS
5	3334900	1	DECAL-LARGE MACHINE POWERBOSS
6	3334901	1	DECAL-MEDIUM MACHINE POWERBOSS
7	3307599	1	DECAL-IGNITION SW/A
8	3333298	1	DECAL-SAFETY ARM
9	715424	2	DECAL - AM7D-III (AM7D-III ONLY)
*	3301733	2	DECAL-WARNING FAN (RAD SHROUD) (NOT SHOWN)
*	3301729	1	DECAL-WARNING FAN INLET (IMP) (NOT SHOWN)

BROOM PARTS BREAKDOWN
MAIN AND SIDE BROOMS

Note: Side brooms also called curb brooms.



MAIN AND SIDE BROOMS			
ITEM	PART NO.	QTY	DESCRIPTION
1	3300302	1	36" (91 CM) PROEX & WIRE (STANDARD)
	3300304	1	36" (91 CM) HIGH DENSITY NYLON, BLACK
	3300314	1	36" (91 CM) NYLON
	3300316	1	36" (91 CM) PATROL (HERRINGBONE)
	3300320	1	36" (91 CM) HIGH DENSITY NATURAL FIBER & WIRE
	3315384	1	36" (91 CM) STIFF NYLON
	3300324	1	36" (91 CM) MIXED WIRE & NATURAL FIBER
	3300326	1	36" (91 CM) CRINKLE WIRE
	3333484	1	36" (91 CM) TRIPLE ROW POLY
	3300310	1	36" (91 CM) NYLON (STANDARD FOR AM7D-III)
2	3300306	1	24" (61 CM) SIDE BROOM - POLY (BLACK) (STANDARD)
	3300308	1	24" (61 CM) SIDE BROOM - NYLON (WHITE) (OPTIONAL)

Main Broom User's Guide

Proex & Wire - Slightly encrusted soilage & dusty conditions. High heat.

High Density Nylon - Highly effective for small particle soilage. Severe dust environments.

Nylon - General purpose broom with long life bristles.

Natural Fiber & Wire - Good all around broom. Good for high heat applications.

Poly Proex - All purpose broom that stands up well on rough surfaces.

Crinkle Wire - Stiff bristles for compacted grime, oil, grease or mud. Fair to good broom life.

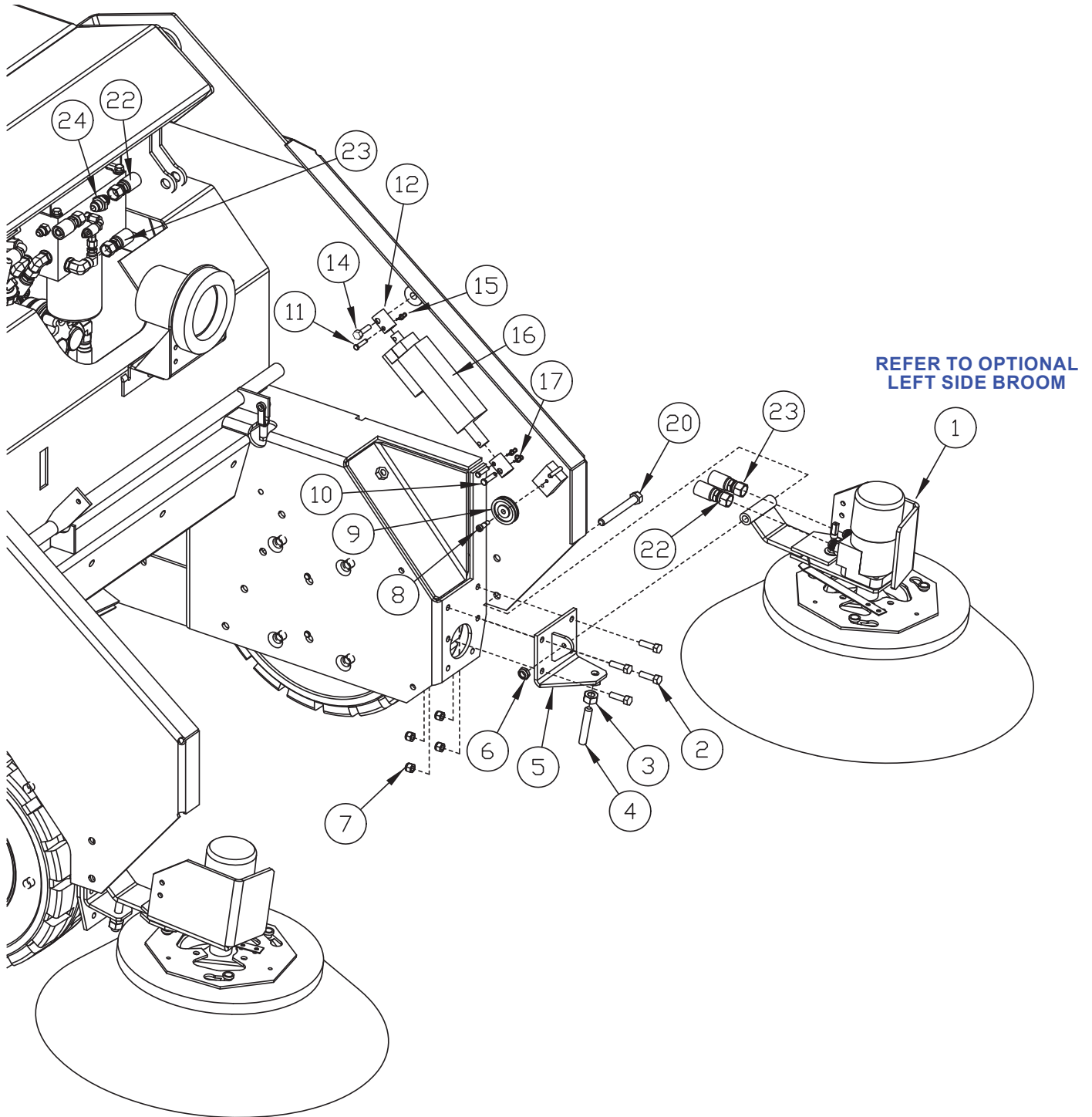
Side Broom User's Guide

Poly - Stiff bristles for aggressive sweeping of mainly heavy litter. Not suited for high heat.

Nylon - Provides longest life. Recommended for tough sweeping jobs.

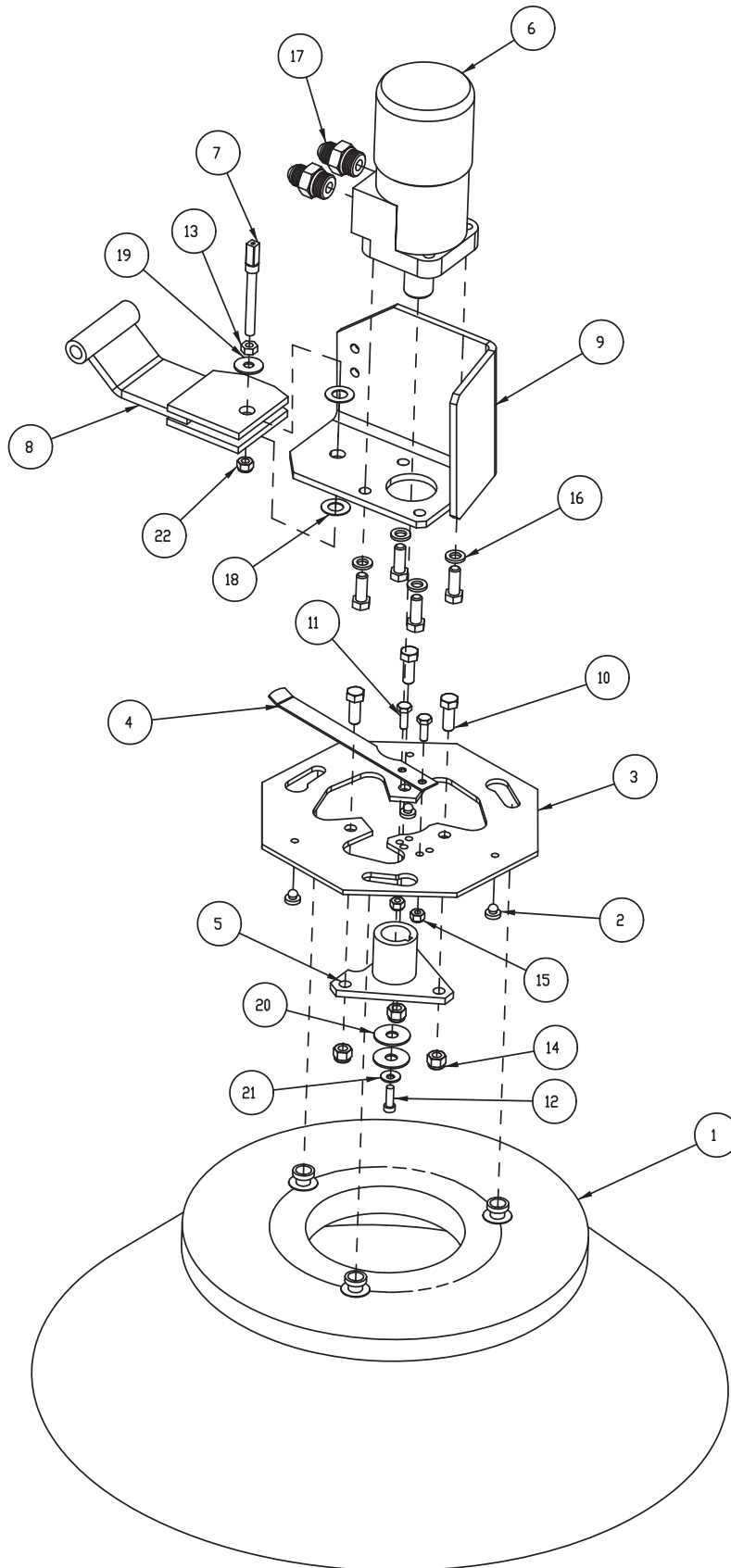
OPTIONS

OPTIONAL LEFT SIDE BROOM ASSEMBLY



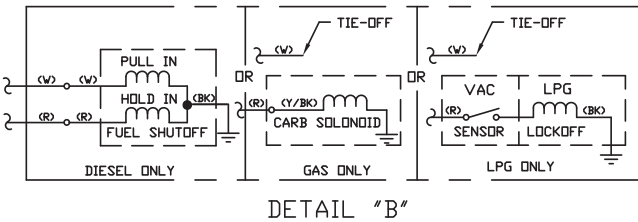
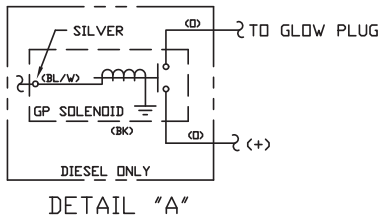
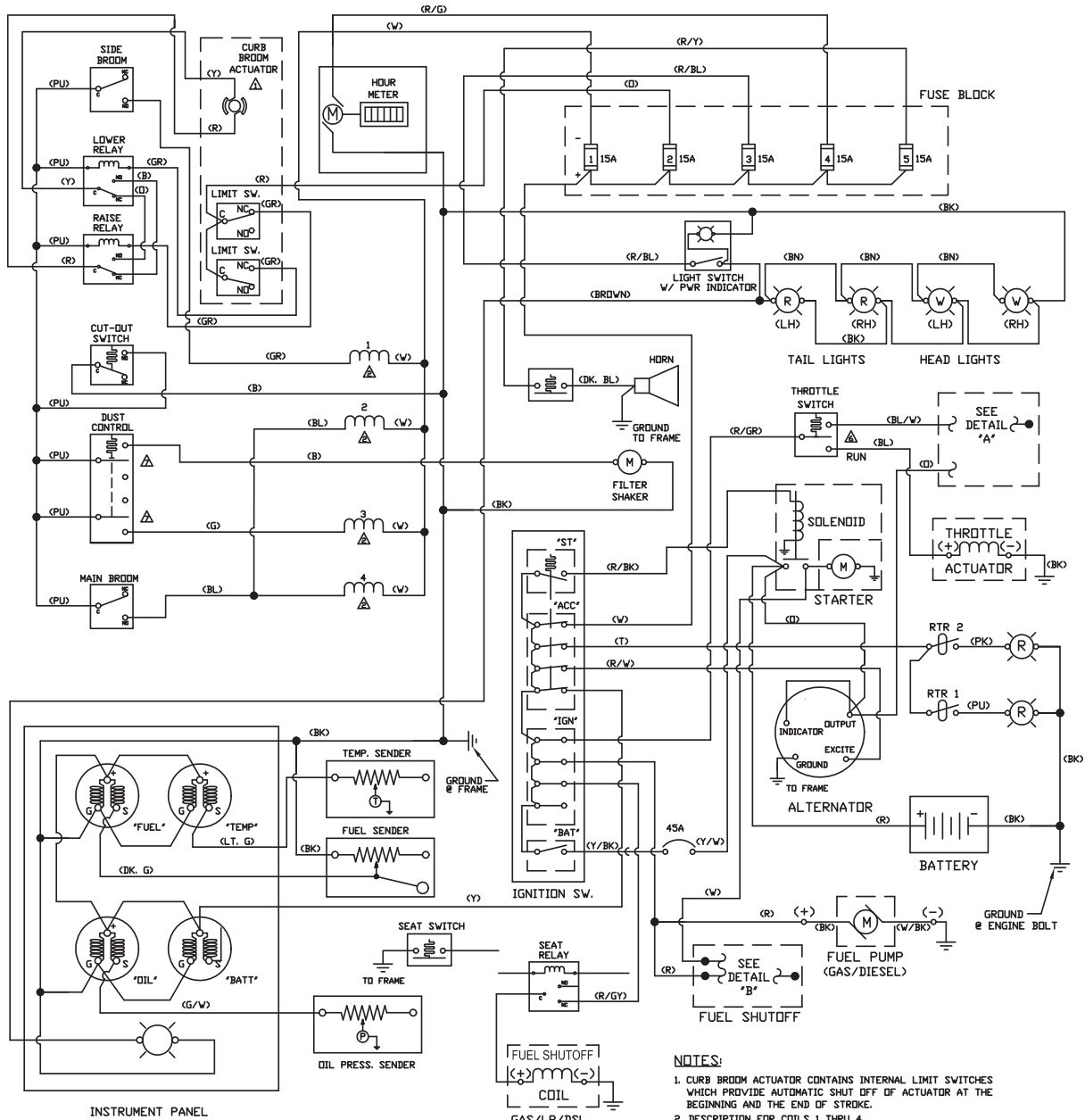
OPTIONAL LEFT SIDE BROOM ASSEMBLY			
ITEM	PART NO.	QTY	DESCRIPTION
1	3321254	1	ASSY-CURB BRM L/H SW62
2	3400029	4	SCREW-HEX,3/8-16X1.25 ZP
3	3400064	1	NUT-HEX 1/2-20 ZP
4	3400404	1	SCREW-SET,1/2-20X3.00 ZP
5	3313202	1	MOUNT-CURB BROOM L/H
6	3400317	1	NUT-HEX JAM 1/2-13 ES ZP
7	3400079	4	NUT-HEX 3/8-16 ES ZP
8	3400051	1	SCREW-HSS 5/16 DIA X .50 ZP
9	3300368	1	PULLEY-PLASTIC 2" DIA W/0.25"
10	3400185	1	PIN-CLEVIS 5/16 X 1-1/4 ZP
11	3318887	2	PIN-CLEVIS 1/4 X 1-1/8
12	3318884	2	ADAPTER-CURB BRM ACTUATOR
14	3401577	1	SCREW-TRUSS 3/8-16 X 2 PH DRV SS
15	3400742	2	RUE RING-1/4 HEAVY Z
16	3318886-1	1	ACTUATOR-CURB BRM 12V 4"STROKE
17	3400125	1	PIN-COTTER 3/8 RUE-RING
20	3400018	1	SCREW-HEX,1/2-13X4.00 ZP
22	3332745	1	HOSE 1/2AR45.O ST#8 ST#8
23	3300646	1	HOSE-1/2 AR 49.50 ST#8 ST#8
24	3400836	1	FITTING-8HTX-S

OPTIONAL LEFT SIDE BROOM



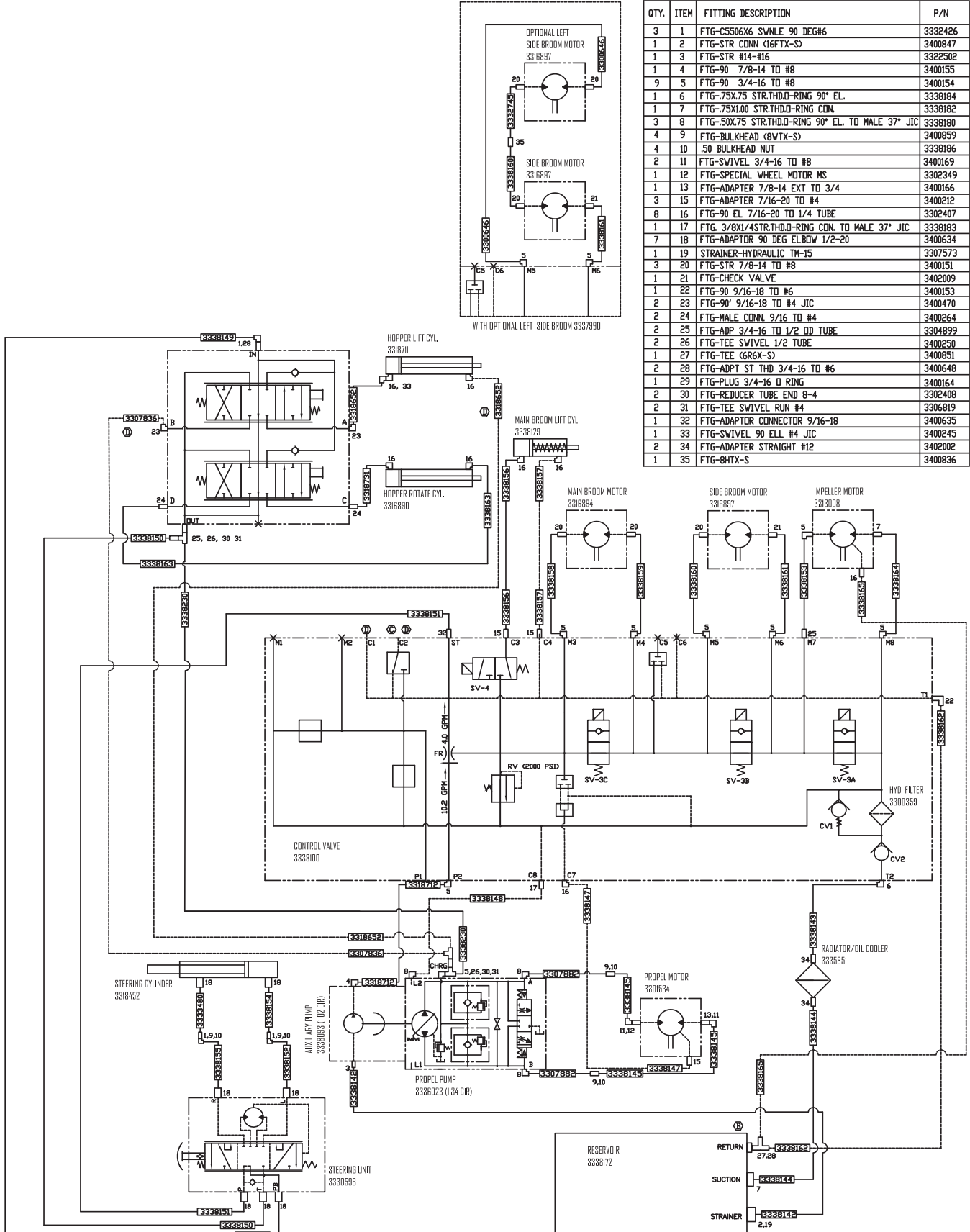
OPTIONAL LEFT SIDE BROOM			
ITEM	PART NO.	QTY	DESCRIPTION
1	3300306	1	SIDE BROOM-24"
2	3300526	3	BUMPER - 1/4 ID X 1/8 THK
3	3301262	1	PLT-GIMBLE SCRUB BRUSH PNTD
4	3339696	1	BAR - CURB BROOM RETAINER LH
5	3313212	1	SW-62 GAS/DSL PNTD. ASSY-GIMB
6	3316897	1	MOTOR-HYD CURB BROOM
7	3318885	1	CABLE-CURB BRM LIFT 62/72
8	3321242	1	ARM ASSY LH SW/62
9	3321243	1	MNT-CURB BROOM MTR SW/62
10	3400030	7	SCREW-HHM 3/8-16 X 1.0 LG ZP
11	3400042	2	SCR-HEX 1/4-20X.75 ZP
12	3400049	1	SCR=SOC 1/4-20 X .75 ZP
13	3400069	1	NUT-HEX 5/16-24 ZP
14	3400079	3	NUT-HEX 3/8-16 ES ZP
15	3400081	2	NUT-HEX 1/4-20 ES ZP
16	3400101	4	WASHER-LOCK 3/8 SPLIT ZP
17	3400151	2	FTG-7/8-14 STOR TO 3/4-16 JIC
18	3400178	2	BEARING-THRUST .531 ID X 1.00
19	3400233	1	WASHER 5/16 ID 1.0 OD X .065
20	3400278	2	WASHER-FENDER 3/8 ZP
21	3400383	1	WASHER CONICAL SPRING 1/4
22	3400420	1	NUT-HEX 5/16-24 ES

ELECTRONIC SCHEMATIC 3338222 (REV. A)



- NOTES:**
- CURB BROOM ACTUATOR CONTAINS INTERNAL LIMIT SWITCHES WHICH PROVIDE AUTOMATIC SHUT OFF OF ACTUATOR AT THE BEGINNING AND THE END OF STROKE.
 - DESCRIPTION FOR COILS 1 THRU 4
 COIL 1 = SIDE BROOM ROTATE
 COIL 2 = MAIN BROOM LIFT
 COIL 3 = IMPELLER ROTATE
 COIL 4 = MAIN BROOM ROTATE & LOWER
 - NOMENCLATURE FOR WIRE COLORS:
 Y = YELLOW
 R = RED
 W = WHITE
 BL = BLUE
 BK = BLACK
 BN = BROWN
 G = GREEN
 GR = GREY
 D = DRANGE
 PU = PURPLE
 T = TAN
 Y/W = YELLOW WITH WHITE STRIPE (TYPICAL NOMENCLATURE FOR STRIPED WIRE).
 - ACTUAL COMPONENT TEXT INSIDE THIS BOX IS TYPICALLY STAMPED ON COMPONENT.
 - GROUPING OF RELATED COMPONENTS.
 - CENTER POSITION OF THROTTLE SWITCH IS 'IDLE'.
 - CENTER POSITION OF DUST CONTROL SWITCH IS 'OFF'.
 - ALL DEVICES SHOWN IN OFF POSITION.
 - THIS SCHEMATIC IS SHOWN FOR WIRE HARNESSES 338077, 338078 & 338079.

HYDRAULIC SCHEMATIC 3338146 (REV. E)



QTY.	ITEM	FITTING DESCRIPTION	P/N
3	1	FTG-C5506X6 SWNLE 90 DEG#6	3332426
1	2	FTG-STR CONN (16FTX-S)	3400847
1	3	FTG-STR #14-#16	3322502
1	4	FTG-90 7/8-14 TO #8	3400155
9	5	FTG-90 3/4-16 TO #8	3400154
1	6	FTG-75X.75 STR.THDD-RING 90° EL.	3338184
1	7	FTG-75X1.00 STR.THDD-RING CON.	3338182
3	8	FTG-50X.75 STR.THDD-RING 90° EL. TO MALE 37° JIC	3338180
4	9	FTG-BULKHEAD (8WTX-S)	3400859
4	10	.50 BULKHEAD NUT	3338186
2	11	FTG-SWIVEL 3/4-16 TO #8	3400169
1	12	FTG-SPECIAL WHEEL MOTOR MS	3302349
1	13	FTG-ADAPTER 7/8-14 EXT TO 3/4	3400166
3	15	FTG-ADAPTER 7/16-20 TO #4	3400212
8	16	FTG-90 EL 7/16-20 TO 1/4 TUBE	3302407
1	17	FTG. 3/8X1/4STR.THDD-RING CON. TO MALE 37° JIC	3338183
7	18	FTG-ADAPTER 90 DEG EL.BOW 1/2-20	3400634
1	19	STRAINER-HYDRAULIC TM-15	3307573
3	20	FTG-STR 7/8-14 TO #8	3400151
1	21	FTG-CHECK VALVE	3402009
1	22	FTG-90 9/16-18 TO #6	3400153
2	23	FTG-90° 9/16-18 TO #4 JIC	3400470
2	24	FTG-MALE CONN. 9/16 TO #4	3400264
2	25	FTG-ADP 3/4-16 TO 1/2 OD TUBE	3304899
2	26	FTG-TEE SWIVEL 1/2 TUBE	3400250
1	27	FTG-TEE (6R6X-S)	3400851
2	28	FTG-ADPT ST THD 3/4-16 TO #6	3400648
1	29	FTG-PLUG 3/4-16 O RING	3400164
2	30	FTG-REDUCER TUBE END 8-4	3302408
2	31	FTG-TEE SWIVEL RUN #4	3306199
1	32	FTG-ADAPTER CONNECTOR 9/16-18	3400635
1	33	FTG-SWIVEL 90 ELL #4 JIC	3400245
2	34	FTG-ADAPTER STRAIGHT #12	3402002
1	35	FTG-BHTX-S	3400836

WARRANTY

Revision J
Effective January 2014
PowerBoss Made Simple Industrial Limited Warranty

Minuteman International owner of PowerBoss warrants to the original purchaser/user that the product is free from defects in workmanship and materials under normal use. PowerBoss will, at its option, repair or replace without charge, parts that fail under normal use and service when operated and maintained in accordance with the applicable operation and instruction manuals. All warranty claims must be submitted through and approved by factory authorized repair stations.

This warranty does not apply to normal wear, or to items whose life is dependent on their use and care. Parts not manufactured by PowerBoss are covered by and subject to the warranties and/or guarantees of their manufacturers. Please contact Minuteman International for procedures in warranty claims against these manufacturers.

Special warning to purchaser -- Use of replacement parts not manufactured by PowerBoss or its designated licensees, will void all warranties expressed or implied. A potential health hazard exists without original equipment replacement.

All warranted items become the sole property of Minuteman International or PowerBoss or its original manufacturer, whichever the case may be.

PowerBoss disclaims any implied warranty, including the warranty of merchantability and the warranty of fitness for a particular purpose. PowerBoss assumes no responsibility for any special, incidental or consequential damages.

This limited warranty is applicable only in the U.S.A. and Canada, and is extended only to the original user/purchaser of this product. Customers outside the U.S.A. and Canada should contact their local distributor for export warranty policies. PowerBoss is not responsible for costs or repairs performed by persons other than those specifically authorized by PowerBoss. This warranty does not apply to damage from transportation, alterations by unauthorized persons, misuse or abuse of the equipment, use of non-compatible chemicals, or damage to property, or loss of income due to malfunctions of the product. If a difficulty develops with this machine, you should contact the dealer from whom it was purchased.

This warranty gives you specific legal rights, and you may have other rights, which vary from state to state. Some states do not allow the exclusion or limitation of special, incidental or consequential damages, or limitations on how long an implied warranty lasts, so the above exclusions and limitations may not apply to you.

	Travel *	Labor	Parts	Engine	Extended Warranty	Costs
Walk Behind						****
Battery Sweepers	90 Days	12 months	12 months	N/A	N/A	-
IC Sweepers	90 Days	12 months	12 months	Through Eng. Mfg.	N/A	-
Battery Scrubbers	90 Days	24 months	36 months	N/A	N/A	-
Riders						
Battery Scrubbers	90 Days	24 months	36 months or 2000 hr.	N/A	36 months parts + 24 labor (or 3000 Hours)	5%
IC Sweeper/Scrubbers 82 & 90	90 Days	6 months	24 months or 2000 hr.	24 months or 3000 hrs**	36 months parts + 24 months labor (or 3000 Hours) + 180 days travel	5%
I.C. Sweepers 9X, 10X	90 days	6 months	48 months or 3000 hrs.	60 months or 3000 hrs**	48 months parts + 24 months labor (or 3000 Hours) + 180 days travel	5%
NAUTILUS Scrubber	180 Days	24 months	36 months or 2000 hr.	36 months or 2000 hrs**	48 months parts + 24 months labor (or 3000 Hours) + 180 days travel	3%
All Rider, I.C. (excluding APEX series)					Bumper to Bumper 5000 hr max. 48 months parts, 48 months labor, 180 days travel	8%
Exceptions						
Apex Series Sweeper	90 Days	12 months	12 months or 1000 hr.	12 months or 1000 hrs**	24 months parts + 24 months labor (or 2000 Hours)	5%
6X Sweeper	90 Days	6 months	24 months or 2000 hr.	24 months or 2000 hours**	36 months parts + 24 months labor (or 3000 Hours) + 180 day travel	5%

Tank Bladders Eight years/ no additional labor
Polyethylene plastic tanks Ten years/ no additional labor
Batteries 0-3 months full replacement, 4-12 prorated credit
Chargers One-year replacement
Aftermarket Replacement parts Ninety days from date of purchase

*Two-Hour Cap Per Service Call

**Through Engine Manufacturer. See Section 3 of Warranty Manual for Engine Warranty Exceptions

*** Based Upon Dealer's Certification Status:

Extended Warranty MUST Be Signed Up Within 30 Days of Delivery to End User
 (Dealer Has 1Year From Receiving Machine To Sign Up For Extended Warranty)

***All above labor and travel reimbursed at 65% or 75% of the published shop rate.



“The Power of Clean”

**PowerBoss® Is a Full Line Manufacturer of Sweepers and Scrubbers,
for Industrial Facilities.**

PowerBoss®, Minuteman International, Inc. 14N845 U.S. Route 20 Pingree Grove Illinois 60140

Phone: 800-323-9420 www.PowerBoss.com email: tech@powerboss.com

A Member of the Hako Group